

Hands-free Car Kit

Parrot 3200 LS-COLOR PLUS
User manual



For Bluetooth®
Mobile Phone

ENG DEL SVE DAN NOR



Parrot 3200 LS-COLOR PLUS

English	07-20
Deutsch	21-34
Svenska	35-48
Dansk	49-62
Norsk	63-76



www.parrot.com

GENERAL INFORMATION

SAFETY INFORMATION

FCC COMPLIANCE STATEMENT

This device complies with part 15 of the FCC rules. Operation is subject to the following two conditions:
(1) this device may not cause harmful interference, and
(2) this device must accept any interference received, including interference that may cause undesired operation.

Note: The manufacturer is not responsible for any radio or tv interference caused by unauthorized modifications to this equipment. Such modifications could void the user's authority to operate the equipment.

DECLARATION OF CONFORMITY



We, Parrot S.A. of 174 quai de Jemmapes, 75010 Paris, France, declare under our sole responsibility that our product, the Parrot 3200 LS-COLOR PLUS to which this declaration relates is in conformity with appropriate standards EN300328, EN301489-1, EN60950 following the provision of Radio Equipment and Telecommunication Equipment directive, with requirements covering EMC directive 89/336/EEC and Low Voltage directive 73/23/EEC.

CORRECT DISPOSAL OF THIS PRODUCT (WASTE ELECTRICAL & ELECTRONIC EQUIPMENT)

(Applicable in the European Union and other European countries with separate collection systems). This marking shown on the product or its literature, indicates that it should not be disposed with other household wastes at the end of its working life. To prevent possible harm to the environment or human health from uncontrolled waste disposal, please separate this from other types of wastes and recycle it responsibly to promote the sustainable reuse of material resources. Household users should contact either the retailer where they purchased this product, or

their local government office, for details of where and how they can take this item for environ, mentally safe recycling. Business users should contract their supplier and the terms and conditions of the purchase contract. This product should not be mixed with other commercial wastes for disposal.

PROTECTION AND PERSONAL SAFETY

Carefully read the user guide and follow the indicated procedure when setting up the device.

Do not dismantle or open the device and do not touch the electronic components or the drivers.

Do not attempt to dismantle or modify either of the speakers. Never introduce any metal object to avoid the risks of electric shocks, fire, short circuits or dangerous emissions. If your device shows signs of faulty operation, call the approved Parrot technical support centre or an approved retailer.

Never leave the Parrot 3200 LS-COLOR PLUS speakers exposed to rain or chemical products; do not place them in a damp area or where they are likely to be splashed with water.

Never place your device on a recipient containing any type of liquid, which might seep inside the device. Doing so will reduce the risks of electric shocks, short circuits, fire and injury.

WARNING

The manufacturer Parrot S.A. and its affiliates should not be held liable towards end users or third parties to prejudice caused by misuse of the product, nor for usage that would be in violation of local traffic regulations and laws.

DATA SECURITY

Parrot and its suppliers shall not be held liable for any lost data or any other damage resulting directly or indirectly from the use or malfunction of this product.

Parrot strives to provide the most up-to-date and comprehensive guides possible. It is our aim to provide you with a user-friendly, easy-to-understand guide to help you set up your new equipment and quickly become familiar with the various features. If your guide does not exactly match the product purchased, refer to our website (www.parrot.com) to obtain the very latest version of the guide.

GENERAL INFORMATION

COPYRIGHTS

Copyright © 2007 Parrot. All rights reserved. The total or even partial reproduction, transmission or storage of this guide in any form or by any process whatsoever (electronic, mechanical, photocopy, recording or otherwise) is strictly prohibited without prior consent from Parrot.

REGISTERED TRADEMARKS

All the names and trademarks mentioned in this document are copyright-protected and are the property of their respective owners.

MODIFICATIONS

The explanations and specifications in this guide are given for information purposes only and may be modified without prior notice. They are deemed to be correct at time of going to press. The utmost care has been taken when writing this guide, as part of the aim to provide you with accurate information. However, Parrot shall not be held responsible for any consequences arising from any errors or omissions in the guide, nor for any damage or accidental loss of data resulting directly or indirectly from the use of the information herein. Parrot reserves the right to amend or improve the product design or user guide without any restrictions and without any obligation to notify users.

As part of our ongoing concern to upgrade and improve our products, the product that you have purchased may differ slightly from the model described in this guide. If so, a later version of this guide might be available in electronic format at Parrot's website at www.parrot.com.

BLUETOOTH QD ID : B012189

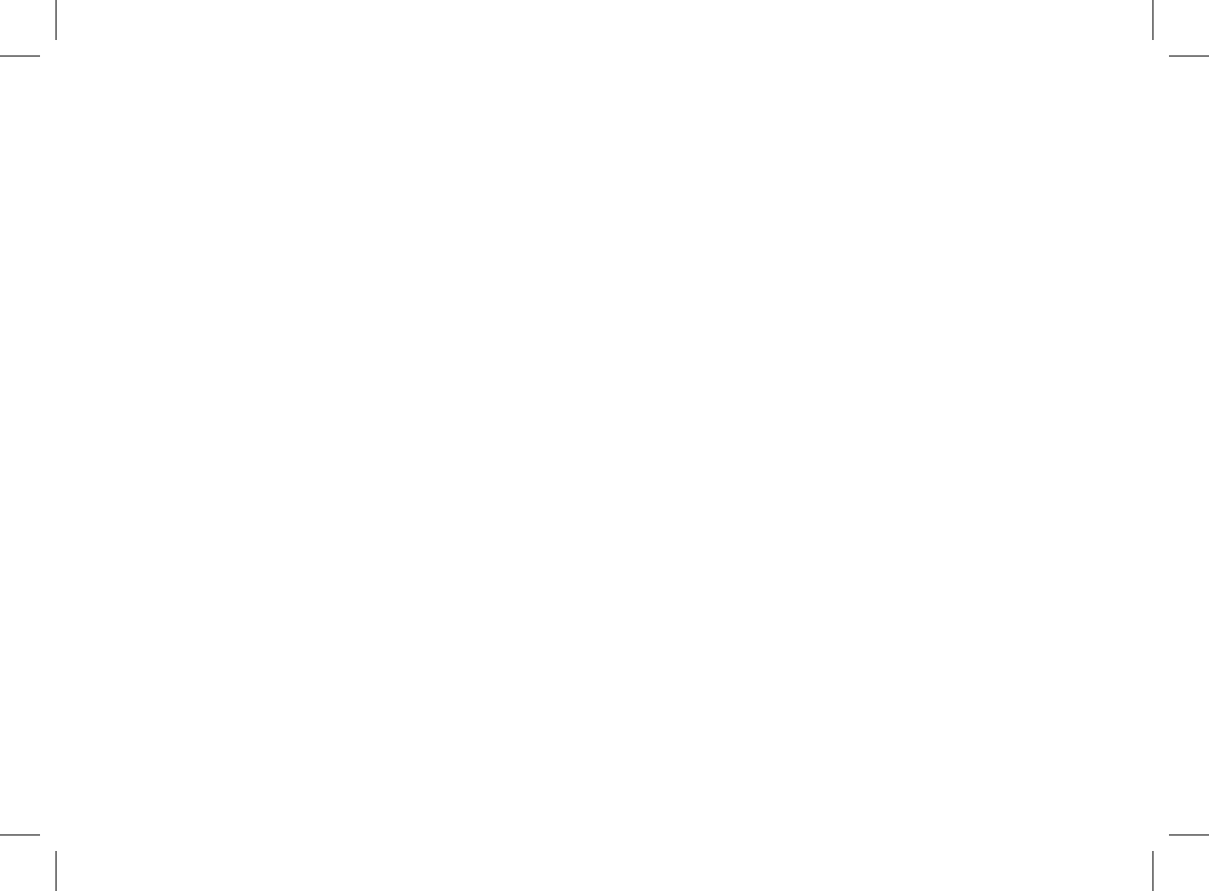
The *Bluetooth* word mark and logos are owned by the *Bluetooth* SIG, Inc. and any use of such marks by Parrot S.A. is under license. Other trademarks and trade names are those of their respective owners.

**PARROT 3200 LS-COLOR PLUS
ENGLISH**



CONTENTS

Introduction	10
Kit contents	11
Fitting	
• Car stereo with line-in jacks	11
• Car stereo with ISO connectors	11
• Car stereo without ISO connectors	11
• Fitting the kit's cable	11
• Checking the installation	11
Using line-in jacks	12
Using ISO connectors	12
Installing the Parrot 3200 LS-COLOR PLUS screen	13
Pairing with your mobile phone: Using for the first time	14
Features	15
Remove the Parrot 3200LS-COLOR PLUS display	15
Accessing the menus	
• Phonebook	17
• Calls	17
• Dial number	18
Settings	
• Contacts management	18
Voice recognition	
• Select voice recognition	18
• Keywords	18
• Paired devices	19
• Pair with phone	19
• Language	19
• Display	19
• Sound	19
• Automatic answer	20
• Information	20
Update	20
Hotline	20



INTRODUCTION

The *Bluetooth* technology enables voice and data communications via a short-distance radio link. It allows several electronic devices to communicate with each other, particularly telephones and hands-free kits.

Parrot is drawing on its long years of experience in signal processing and voice recognition technology to introduce a hands-free kit offering superior audio quality during calls. The Parrot 3200 LS-COLOR PLUS benefits from the Beamforming technology through a double microphone built into the screen of the hands-free kit. This technology allows for greater call quality by means of improved noise reduction.

Thank you for buying a Parrot hands-free kit. With the Parrot 3200 LS-COLOR PLUS, you will be able to make telephone calls from your car while keeping your hands on the wheel. With its colour interface and customisable wallpaper, the Parrot 3200 LS-COLOR PLUS is the most user-friendly hands-free kit. It acts as a real extension of your mobile phone. Furthermore, you can take the Parrot 3200 LS-COLOR PLUS screen with you when you leave your vehicle.



KIT CONTENTS

- Colour LCD screen
- Installation cable
- Electronic control unit
- Directions for use
- Fitting accessories

FITTING

First of all, choose the place for the colour screen inside your vehicle. We would advise you to fit it in the centre of the dashboard or near you.

Make sure that you can view the screen at a good angle and that it does not obstruct your view of the road. Once the hands-free kit is fully installed and switched on, you can adjust the screen's brightness.

The installation cable is fitted with ISO connectors, as well as two line-out jacks for connecting to the car stereo's line-in jacks if applicable.

CAR STEREO WITH LINE-IN JACKS:

Use this type of connection by wiring the brown and white wires (or red and black) to the car stereo's line-in jack and the yellow wire to the car stereo's mute jack.

CAR STEREO WITH ISO CONNECTORS:

Disconnect the ISO connectors from your car stereo. Join the male ISO connectors of the kit's cable to the car stereo. Join the vehicle's ISO connectors to the female ISO connectors of the kit's cable.

If the car stereo features a mute in jack, connect the yellow wire of the kit's cable to the corresponding «mute in» jack (Mute in 1, 2 or 3).

CAR STEREO WITHOUT ISO CONNECTORS:

An adapter cable is required to convert the specific connections into an ISO connector. As a result, installation will be the same as with an ISO connector. Parrot offers a range of ISO adapter cables. Visit our website at www.parrot.com.

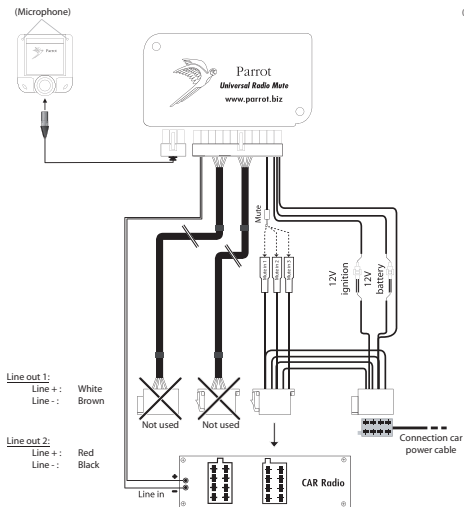
FITTING THE KIT'S CABLE:

Check the wiring diagram for the car stereo's ISO cable. The red wire of the kit's cable must be connected to the constant 12V supply, the orange wire to the ignition 12V and the black wire to ground. On some vehicles, the red and orange wires may need to be reversed. This can easily be done by reversing the two fuse holders. On other vehicles, the ignition 12V may be missing from the car stereo's connectors, meaning that you must connect the orange wire directly to an available ignition 12V source in the vehicle. Do not connect the orange wire to the constant 12V supply, as you could run down the vehicle's battery.

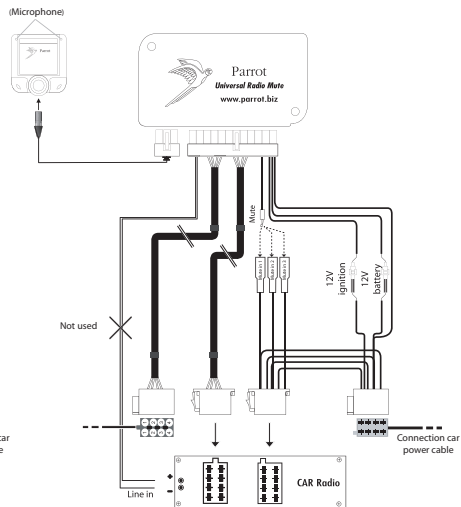
CHECKING THE INSTALLATION:

If your Parrot 3200 LS-COLOR PLUS is correctly fitted, you should see the message «Goodbye» on the screen when you switch off your car's ignition.

USING LINE-IN JACKS



USING ISO CONNECTORS

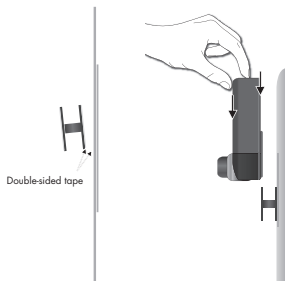


- Loud speakers
- 1 - Rear right speaker (purple/purple-black)
 - 2 - Front right speaker (grey/grey-black)
 - 3 - Front left speaker (white/white-black)
 - 4 - Rear left speaker (green/green-black)

INSTALLING THE PARROT 3200 LS-COLOR PLUS SCREEN

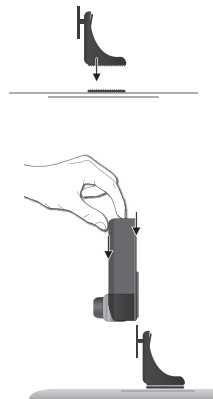
To guarantee optimal call quality, do not stick the screen directly on the dashboard. Use one of the two brackets supplied. The first bracket lets you place the screen against the dashboard.

- Stick some double-sided tape on one of the flat sides of the bracket and some double-sided tape on the dashboard.
- Place the bracket on the dashboard.
- Then insert the screen into the bracket.



The second bracket lets you place the Parrot 3200 LS-COLOR PLUS screen higher up.

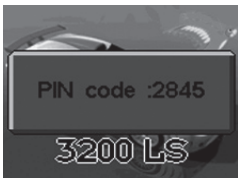
- Stick one of the Velcro strips on the bracket and the other strip on the dashboard.
- Place the bracket on the dashboard.
- Then insert the screen into the bracket.



PAIRING WITH YOUR MOBILE PHONE: USING FOR THE FIRST TIME

The first time that you switch on the Parrot 3200 LS-COLOR PLUS, you must pair your mobile phone with the kit.

- . Enable the *Bluetooth* mode on your phone.
- . On the hands-free kit, scroll through the menus until you come to Settings Pair with phone..., and select the relevant option for your phone. A 4-digit PIN code then appears on screen. Memorise it.
- . Search for any peripherals: for further information on this procedure, refer to the *Bluetooth* chapter in your mobile phone's user guide or check out our website at : www.parrot.com
- . Once the search has finished, «Parrot 3200LS» is displayed on your phone.
- . Select the kit. Your phone prompts you to enter a code: key in the code shown on the kit screen and confirm on your phone.



- . The kit's screen displays «Pairing».
 - . Once the data has been exchanged, «pairing successful» appears on the Parrot 3200 LS-COLOR PLUS.
 - . The Parrot 3200 LS-COLOR PLUS then connects to your phone.
- When pairing the first phone with your Parrot 3200 LS-COLOR PLUS,

you will automatically be prompted to adjust the direction of the double microphone. Doing so will enable the kit to provide your callers with greater call quality. The following directions are available:

- Left: the driver is on the left of the hands-free kit.
- Centre: the driver is facing the hands-free kit.
- Right: the driver is on the right of the hands-free kit.
- No special direction: allows callers to hear both the driver and the passenger. Noise reduction is then less effective.

Subsequently, you can change this setting by going to the «Settings / Mic direction» menu.

Once the connection has been made, the *Bluetooth* logo is displayed on the screen (except for certain phones using the Headset profile).

Some phones offer additional features, such as displaying your phone's name on the kit's screen, as well as the battery and signal levels and the operator's name. Please refer to the Support heading on our website at www.parrot.com for details on your phone's features.

When your phone is connected to your hands-free kit, the menus of the Parrot 3200 LS-COLOR PLUS are available and their name is announced by the hands-free kit when you turn the scroll wheel. You can now access the menus and their name is announced by the hands-free kit when you turn the scroll wheel. Press the green button (or the scroll wheel) to access the menus, and press the red button to exit them.

You can now use your hands-free kit to make and receive calls.

- . Receiving a call: press the green button to answer the call.
- . Ending a call: press the red button.
- . Redial function: hold down the green key on the kit for two seconds to redial the last number dialled.
- . Adjusting the volume: turn the scroll wheel during a call to adjust the volume.

FEATURES

The kit's screen displays your mobile phone's main information, in particular your phonebook.

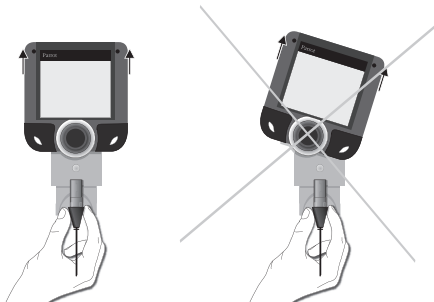
- Automatic downloading of your phonebook.
- Display of the caller's name and image.
- Contacts phoned using the kit's voice recognition feature.
- Car stereo muting during calls.
- Call records.
- Volume adjustment during calls.
- Dual call management.
- Automatic redial of the last caller.
- Wallpaper change.
- Brightness settings.
- Ringtone selection.
- Language setting.
- DTMF: when you receive a call from your message system, press the scroll wheel so that you can access the digits allowing you to manage your message.



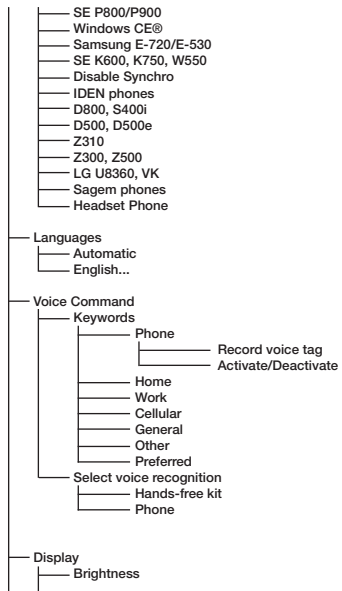
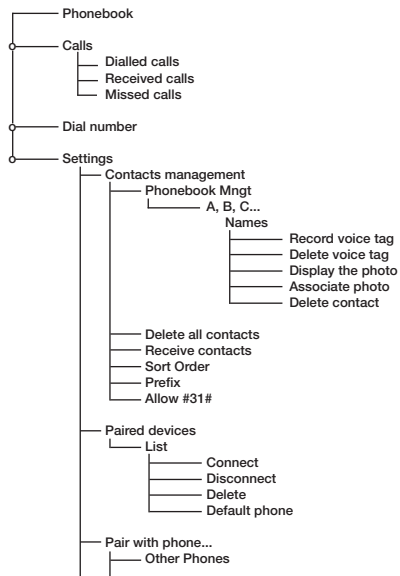
NB: The use of some of these functions (volume control and remote control) depends solely on your audio player. Visit the Support section on our website at www.parrot.com to find out more information.

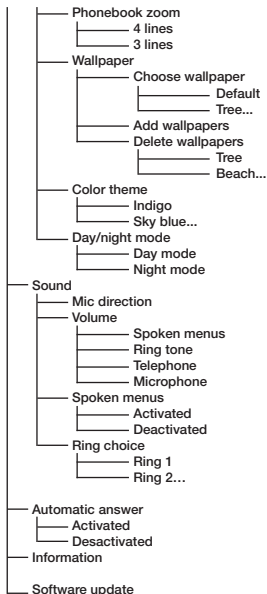
REMOVE THE Parrot 3200LS-COLOR PLUS DISPLAY

- The Parrot 3200 LS-COLOR PLUS is equipped with a USB connector. You can remove your hands-free kit's screen when leaving the vehicle.
- It is important to switch off your vehicle's ignition and then wait until the Parrot 3200 LS-COLOR PLUS displays «Goodbye» before unplugging the screen from your hands-free kit. To remove the screen, you are advised to hold the cable of the Parrot 3200 LS-COLOR PLUS and then slide the screen vertically from its holder.



MENUS





ACCESSING THE MENUS

PHONEBOOK

After pairing your phone with the Parrot 3200 LS-COLOR PLUS, synchronisation with your phonebook will begin automatically. Once the synchronisation process is complete, you can access your phonebook from the hands-free kit screen. To access your phonebook and call a contact, turn the scroll wheel to access the menus, then select Phonebook. Scroll through the letters until you reach the first letter of the relevant person's name and confirm. You will then see this person's name and the various phone numbers you have for them.

If your phone does not support the automatic phonebook synchronisation feature, you can send your contacts manually from the phone to the hands-free kit.

To benefit from the most up-to-date procedures, please refer to our website at www.parrot.com.

Note: the «Automatic phonebook synchronisation» and «Send contacts manually» features depend exclusively on your phone.

Refer to the Support heading on our website at www.parrot.com for further information.

CALLS

This menu option displays the list of calls and is divided into three sub-menus:

Missed Calls / Received Calls / Dialed Calls. It is automatically synchronised with your phone's call records and you can access them to call back a missed call.

- Select the contact from these menus.
- Press the scroll wheel or the green button to call the contact back.

Note: the use of this feature depends exclusively on your phone. Refer to the Support heading on our website at www.parrot.com for further information.

DIAL NUMBER

Select this menu to dial a number directly via the kit.

- Turn and press the scroll wheel to select a digit.
- The trashcan icon deletes the last digit.
- Once the number has been dialled, press the green button to call.

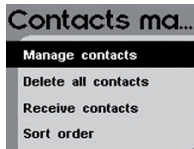
SETTINGS

This menu allows you to adjust the necessary settings to get the most out of your hands-free kit.

CONTACTS MANAGEMENT

This menu enables you to manage contacts in the Parrot 3200 LS-COLOR PLUS. Once you have selected the contact from the list (which you access via the Phonebook management menu) you can record or delete a voiceprint, view or delete the photo, or delete the contact from the phonebook.

You can also receive a contact with the relevant photo (if supported by the phone) by selecting Receive contacts. Select on your phone the contact you want to send via *Bluetooth* to the hands-free kit. From then on, whenever this person calls you, his or her photo and name will appear on the kit screen.



Note: the use of certain features depends exclusively on your phone. Refer to the Support heading on our website at www.parrot.com for further information. You will also find the most up-to-date usage procedures for your phone.

You can also delete all the contacts in the kit or reverse the sort order from surname-first name to first name-surname

VOICE RECOGNITION

SELECT VOICE RECOGNITION

The Parrot 3200 LS-COLOR PLUS lets you use your phone's voice recognition feature if available. The Parrot 3200 LS-COLOR PLUS also lets you use its own voice recognition feature. Your phone must be capable of sending contacts to the hands-free kit to be able to use this feature. The car kit voice recognition feature is the most suitable in a car environment. We advise to set your car kit with this option.

- Hands-free kit: the selected voiceprints are those recorded in the memory of the hands-free kit.
- Phone : the selected voiceprints are those recorded in the memory of the phone.

KEYWORDS

Keywords enable you to select the different types of phone number associated with your contact: work, home, mobile, and so on.

Recording keywords enables you to phone without taking your hands off the wheel. You can control the whole call with your voice.

All keywords must be recorded, so that they can be validated.

- To record the keywords, simply select the keyword that you wish to record.
- You are advised to record the keywords in a quiet setting, turn off your engine, close the windows and make sure that you

are in the driver's seat. Do not get close to the microphone of the Parrot 3200 LS-COLOR PLUS and remain in your normal driving position.

- The hands-free kit will prompt you to say the keyword. If the keyword is properly recorded, you will be asked to repeat the keyword.
- After recording a keyword, the Parrot 3200 LS-COLOR PLUS will automatically get ready to record the next keyword.

PAIRED DEVICES

The Parrot 3200 LS-COLOR PLUS lets you pair up to five *Bluetooth* phones, but bearing in mind that only one can be connected at any one time.

The Paired devices menu allows you to connect, disconnect or delete a phone from the kit's memory. From the Define default phone menu option, you can control the priority level given to the *Bluetooth* phone during connections with several phones in the car.

Caution: *Deleting a paired phone will clear any voiceprints attributed to the contacts on that phone.*

PAIR WITH PHONE

Before pairing your *Bluetooth* phone, you must enable the mode corresponding to your *Bluetooth* phone.

Once the relevant mode has been selected, a (random) 4-digit code appears. Start searching for *Bluetooth* peripherals from your phone. Once you have found the hands-free kit, select it and enter this code.

Note: *for greater compatibility with phones, new pairing modes are likely to be added to future versions.*

LANGUAGE

Select the language for displaying the menus on your Parrot 3200 LS-COLOR PLUS.

DISPLAY

Four options are available for customising the way in which information is displayed:

- Brightness : use the scroll wheel to obtain the required level and confirm by clicking the scroll wheel.
- Phonebook zoom: used to display the Phonebook menu over 3 or 4 lines.
- Wallpaper: allows you to select a wallpaper image.
- Color Theme: lets you select a colour theme.

SOUNDS

- Volume: use the scroll wheel to control the volume level of the call and the microphones' sensitivity.
- Spoken menus: adjust the volume of the hands-free kit's prompts to the required level.
- Ringtone: for phones that do not play a specific ringtone for incoming calls, select the ringtone that you wish to hear when you receive a call.
- Microphone direction: this menu lets you choose a specific direction for the double microphone and thereby ensure the very highest call quality for all your callers. The following directions are available:
 - Left: the driver is on the left of the hands-free kit.
 - Centre: the driver is facing the hands-free kit.
 - Right: the driver is on the right of the hands-free kit.
 - No special direction: allows callers to hear both the driver and the passenger. Noise reduction is then less effective.

AUTOMATIC ANSWER

Enable this mode if you want the Parrot 3200 LS-COLOR PLUS to automatically answer any incoming calls.

INFORMATION

This menu provides information on the version of the built-in software.

UPDATE

You can update the software version of your Parrot 3200 LS-COLOR PLUS by *Bluetooth*. Enable this mode before updating. The update is performed by *Bluetooth* from a computer equipped with *Bluetooth*.

Updating provides access to new features and improves compatibility with the advanced functions on an even wider range of phones. For further information, visit our website: www.parrot.com.

HOTLINE

Our hotline is at your disposal. You can contact the hotline by email or telephone.

Open from Monday to Friday between 9 am and 6 pm (GMT+1).

- Italy : [+39] 02 86 39 14 63
- Spain : [+34] 902 404 202
- UK : [+44] (0)870 112 5872
- Germany : 0900 172 77 68
- USA : [+1] (877) 9 Parrot (toll free)
- China : [+86] (0)21 6460 1944
- Hong Kong : [+852] 2736 1169
- France : 01 48 03 60 69
- Europe : [+33] 1 48 03 60 69 (Spoken languages : French, English, Spanish and German).

Check out our website at www.parrot.com for further information.

PARROT 3200 LS-COLOR PLUS
DEUTSCH



INHALT

Einführung	24
Verpackungsinhalt	25
INSTALLATIE	
• Autoradio mit Eingängen «line in»	25
• Autoradio mit ISO-Steckverbinder	25
• Autoradio ohne ISO-Steckverbinder:	25
• Anschluss des Kabels der Freisprecheinrichtung:	25
• Prüfung der Installation:	25
Verwendung des Leitungseingangs «Line»	26
Verwendung des ISO-Anschlusses	26
Installation des Displays der Parot 3200 LS-COLOR PLUS	27
Kopplung mit dem telefon: Erste Verwendung	28
Functies	29
Entnahme des Displays der Parot 3200 LS-COLOR PLUS	29
Menu	30
Zugriff auf die menüs	
• Telefonbuch	31
• Anrufliste	31
• Nummer wählen	32
Einstellung	
• Kontaktverwaltung	32
Spracherkennung	
• Spracherkennung wählen	32
• Schlüsselwörter	32
• Gekoppelte Geräte	33
• Koppeln mit Gerät	33
• Sprache	33
• Anzeige	33
• Sounds	33
• Automatische Antwort	34
• Infos	34
Aktualisierung	34
Hotline	34



EINFÜHRUNG

Die *Bluetooth*-Technologie ermöglicht eine Übertragung von Sprache und Daten über kurze Entfernungen per Funkverbindung. Unter Rückgriff auf *Bluetooth* können unterschiedliche elektronische Geräte miteinander kommunizieren, insbesondere Telefone und Freisprecheinrichtungen. Die Parrot 3200 LS-COLOR PLUS wurde mit zwei direkt in das Display integrierten Mikrofonen ausgestattet und stellt dadurch die einmaligen Vorteile der Technologie Beamforming bereit. Diese Technologie ermöglicht eine grundlegende Verbesserung der Kommunikationsqualität durch optimale Geräuschreduzierung.

Aufbauend auf seine langjährige Erfahrung im Bereich Signalverarbeitung und Spracherkennung präsentiert Parrot eine Freisprecheinrichtung, die sich beim Telefonieren durch eine herausragende Audioqualität auszeichnet.

Sie haben sich für eine Freisprecheinrichtung von Parrot entschieden: Herzlichen Dank! Mit dem Parrot 3200 LS-COLOR PLUS können Sie Ihre Anrufe erledigen, während Sie mit Ihrem Auto unterwegs sind? Ihre Hände bleiben dabei am Steuer.

Die farbige Oberfläche und der anpassbare Bildschirmhintergrund machen den Parrot 3200 LS-COLOR PLUS zur denkbar bedienerfreundlichsten Freisprecheinrichtung.

Er fungiert richtiggehend als Erweiterung Ihres Mobiltelefons. Darüber hinaus können Sie das Display der Parrot 3200 LS-COLOR PLUS einfach mitnehmen, wenn Sie das Fahrzeug verlassen.



VERPACKUNGSMATERIAL

- LCD-Farbdisplay
- Anschlusskabel
- Kontrollbox
- Bedienungsanleitung
- Befestigungsvorrichtungen

INSTALLATION

Wählen Sie zunächst eine geeignete Position für das Farbdisplay im Innenraum Ihres Fahrzeugs. Empfohlen wird die Mitte des Armaturenbretts oder eine Position in Ihrer Nähe.

Stellen Sie sicher, dass Sie über einen guten Blickwinkel auf das Display verfügen, und dass die Position des Displays Ihre Sicht auf den Straßenverkehr nicht beeinträchtigt. Nach der Installation und Inbetriebnahme der Freisprecheinrichtung können Sie die Helligkeit bedarfsgerecht einstellen. Das Anschlusskabel ist mit ISO-Anschlüssen sowie mit 2 «Line out»-Ausgängen ausgestattet, die eine Verbindung mit den «Line in»-Eingängen des Audiosystems ermöglichen, sofern das System diese Option bereitstellt.

AUTORADIO MIT EINGÄNGEN «LINE IN»:

Bei diesem Anschlussstyp werden der braune und weiße (bzw. der rote und schwarze) Draht mit dem «Line in»-Eingang des Audiosystems und der gelbe Draht mit dem «Mute»-Eingang des Autoradios verbunden.

AUTORADIO MIT ISO-STECKER

Entfernen Sie die ISO-Verbindungen von Ihrem Autoradio. Schließen Sie die ISO-Stecker des Kabels der Freisprechanlage an das Autoradio an. Verbinden Sie die ISO-Stecker des Fahrzeugs mit den ISO-Steckbuchsen

am Kabel der Freisprechanlage. Sollte das Autoradio über einen „Mute“-Eingang verfügen, dann verbinden Sie den gelben Draht des Kabels der Freisprechanlage mit dem entsprechenden „Mute“-Eingang («Mute in 1», «Mute in 2» oder «Mute in 3»).

AUTORADIO OHNE ISO-STECKER:

Für diesen Anschlussstyp ist ein Adapterkabel erforderlich, um die vorhandenen Anschlüsse an den ISO-Standard anzupassen. Die weitere Vorgehensweise entspricht dann derjenigen mit ISO-Anschlüssen. Parrot stellt Ihnen eine komplette Serie von ISO-Adapterkabeln zur Auswahl. Besuchen Sie diesbezüglich die Parrot-Website: www.parrot.com

ANSCHLUSS DES KABELS DER FREISPRECHRICHTUNG:

Halten Sie sich an das Schaltbild für das ISO-Drahtbündel des Autoradios.

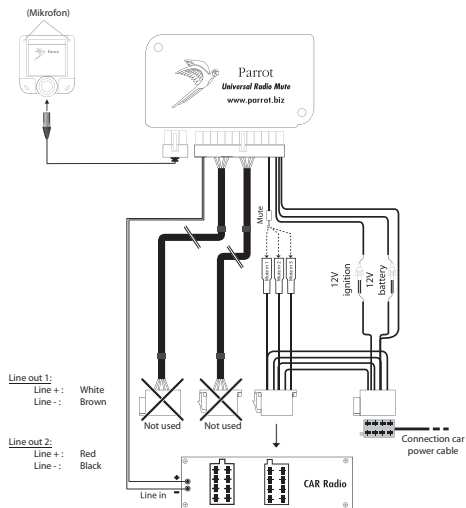
Der rote Draht des Kabels der Freisprechanlage muss mit der permanenten und der orangefarbene Draht mit der kontaktgeschalteten 12V-Spannungsversorgung verbunden werden. Der schwarze Draht wird an die Masse angeschlossen. In manchen Kraftfahrzeugen ist eine Invertierung des roten und des orangefarbenen Drahts erforderlich. Dazu sind lediglich die zwei Sicherungsträger auszuwechseln.

In anderen Fahrzeugen wiederum ist am Autoradio kein Anschluss für die kontaktgeschaltete 12V-Spannungsversorgung vorgesehen. In diesem Fall ist der orangefarbene Draht direkt mit einem am Fahrzeug verfügbaren 12V-Spannungsanschluss zu verbinden. Verbinden Sie den orangefarbenen Draht keinesfalls mit der permanenten 12V-Versorgung, da dies eine Entleerung der Fahrzeugbatterie zur Folge haben kann.

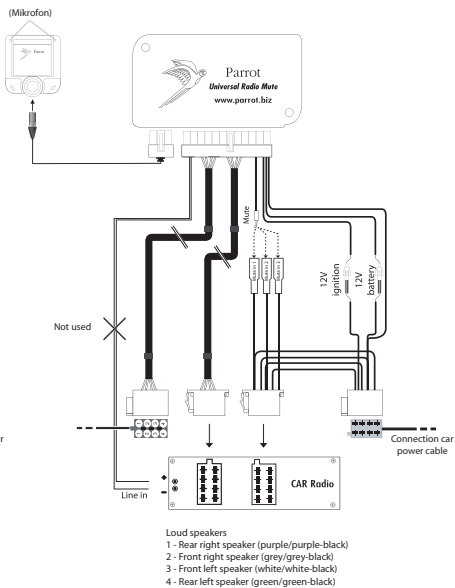
PRÜFUNG DER INSTALLATION:

Wenn die Installation der Parrot 3200 LS-COLOR PLUS ordnungsgemäß durchgeführt wurde, erscheint beim Ausschalten der Zündung Ihres Fahrzeugs die Meldung «Auf Wiedersehen» auf dem Display.

VERWENDUNG DES LEITUNGSEINGANGS «LINE»



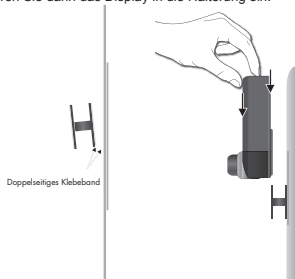
VERWENDUNG DES ISO-ANSCHLUSSES



INSTALLATION DES DISPLAYS DER PARROT 3200 LS-COLOR PLUS

Um eine optimale Kommunikationsqualität zu gewährleisten, sollte das Display nicht direkt auf dem Armaturenbrett angebracht werden. Verwenden Sie für die Anbringung eine der zwei Halterungsvorrichtungen. Die erste Halterung ermöglicht eine Anbringung des Displays vorn am Armaturenbrett.

- Bringen Sie ein doppelseitiges Klebeband an einer der glatten Flächen der Halterungsvorrichtung an, ein anderes am Armaturenbrett.
- Befestigen Sie die Halterung am Armaturenbrett.
- Führen Sie dann das Display in die Halterung ein.

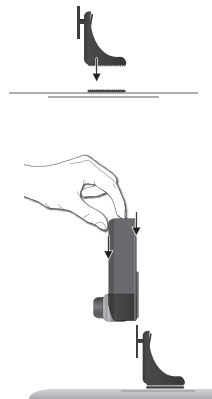


WICHTIG :

Vergessen Sie nicht, das Display herauszunehmen, wenn Sie das Fahrzeug verlassen, um Diebstahl und längere Sonneneinstrahlung zu vermeiden.

Die zweite Halterung ermöglicht eine Anbringung des Displays der Parrot 3200 LS-COLOR PLUS in einer höheren Position.

- Bringen Sie einen Klettverschluss an der Halterungsvorrichtung und einen anderen auf dem Armaturenbrett an.
- Befestigen Sie die Halterung auf dem Armaturenbrett.
- Führen Sie dann das Display in die Halterung ein.



KOPPLUNG MIT DEM TELEFON: ERSTE VERWENDUNG

Beim ersten Einschalten des Parrot 3200 LS-COLOR PLUS müssen Sie Ihr Telefon mit der Freisprecheinrichtung koppeln.

Aktivieren Sie die *Bluetooth*-Funktion auf Ihrem Telefon.

• Navigieren Sie in den Menüs Ihrer Freisprecheinrichtung bis zu «Einstellungen», «Koppeln mit Gerät»..., und wählen Sie die Option, die Ihrem Telefon entspricht. Es erscheint ein 4 Ziffern umfassender PIN-Code auf dem Display, den Sie sich merken sollten.



• Starten Sie eine Suche nach Peripheriegeräten:

Detaillierte Informationen

zu diesem Vorgang finden Sie in der Bedienungsanleitung Ihres Telefons (Kapitel über *Bluetooth*). Oder besuchen Sie unsere Website:

www.parrot.com.

• Nach Abschluss des Suchvorgangs wird «Parrot 3200LS» auf dem Telefon angezeigt.

• Wählen Sie die Freisprecheinrichtung aus. Sie werden dann von Ihrem Telefon zur Eingabe eines Codes aufgefordert. Geben Sie den auf dem Display Ihrer Freisprecheinrichtung angezeigten Code ein, und bestätigen Sie die Eingabe auf Ihrem Telefon.

• Auf dem Display der Freisprecheinrichtung erscheint die Angabe «Kopplung OK».

• Nach dem Austausch der erforderlichen Daten wird «Kopplung erfolgreich» auf dem Display des Parrot 3200 LS-COLOR PLUS angezeigt. Der Parrot 3200 LS-COLOR PLUS stellt dann eine Verbindung zu Ihrem Telefon her.

Bei der ersten Kopplung eines Telefons mit der Parrot 3200 LS-COLOR PLUS werden Sie automatisch zur Einstellung der Ausrichtung der Mikrofone aufgefordert. Durch eine bedarfsgerechte Einstellung ermöglichen Sie eine gezielte Stimmübertragung an Ihre Gesprächspartner und damit eine wesentlich bessere Kommunikationsqualität. Folgende Ausrichtungen stehen zur Auswahl: Ausrichtung links: Der Fahrer befindet sich links von der Freisprechanlage. • Ausrichtung Mitte: Der Fahrer befindet sich der Freisprechanlage genau gegenüber. • Ausrichtung rechts: Der Fahrer befindet sich rechts von der Freisprechanlage. • Keine bevorzugte Ausrichtung: In diesem Fall kann der Gesprächspartner die Stimmen von Fahrer und Beifahrer hören. Dadurch wird jedoch die allgemeine Geräuschreduzierung eingeschränkt.

Über das Menü «Einstellung / Mikrofon ausrichten» können Sie die Ausrichtung jederzeit zu einem späteren Zeitpunkt wieder ändern. Nach dem Aufbau der Verbindung erscheint das *Bluetooth*-Logo auf dem Display (außer bei manchen Telefonen, die das Headset-Profil verwenden). Einige Telefone stellen zusätzliche Funktionen bereit, z. B. die Anzeige des Telefonnamens, der Netzstärke, des Akkuladestands und des Netzbetreibers auf dem Display der Freisprecheinrichtung. Auf der Website www.parrot.com, Rubrik «Kundenkontakt», finden Sie den genauen Funktionsumfang Ihres Telefons. Nach dem Aufbau einer Verbindung zwischen Ihrem Telefon und der Freisprechanlage stehen Ihnen die Menüs der Parrot 3200 LS-COLOR PLUS zur Auswahl. Durch Drehen des Reglerads werden die Namen der Menüs von der Freisprechanlage laut ausgegeben. Die Menüs stehen zur Verfügung und die entsprechenden Namen werden von der Freisprecheinrichtung laut ausgegeben, wenn Sie das Reglerad drehen. Rufen Sie die verschiedenen Menüs durch Drücken der grünen Taste (oder Drücken des Reglerads) auf. Drücken Sie die rote Taste, um die Menüs zu verlassen.

Sie können Ihre Freisprecheinrichtung jetzt für Ihre Telefongespräche verwenden.

- Entgegennehmen eines Anrufs: Drücken Sie die grüne Taste, um den Anruf anzunehmen.
- Beenden eines Anrufs: Drücken Sie die rote Taste.
- Rufwiederholung: Drücken Sie die grüne Taste auf der Freisprecheinrichtung und halten Sie sie zwei Sekunden lang gedrückt, um die zuletzt gewählte Nummer erneut zu wählen.
- Einstellen der Lautstärke: Drehen Sie das Reglerrad während eines Gesprächs, um die Lautstärke wunschgemäß einzustellen.

FUNCTIES

Auf dem Display der Freisprecheinrichtung finden Sie alle grundlegenden Informationen in Bezug auf Ihr Telefon, insbesondere Ihr Telefonbuch.

- Automatisches Laden Ihres Telefonbuchs
- Anzeige von Namen und Bild des Anrufers
- Rufnummernwahl für gespeicherte Kontakte über die Spracherkennungsfunktion der Freisprecheinrichtung
- Stummschaltung des Autoradios für die Dauer des Telefongesprächs
- Anrufliste
- Einstellung der Lautstärke bei aktiver Kommunikation
- Verwaltung der Anklappfunktion
- Automatischer Rückruf des letzten Gesprächsteilnehmers
- Änderung des Bildschirmhintergrunds
- Einstellung von Helligkeit
- Auswahl des Klingeltons
- Einstellung der Sprache
- DTMF: Wenn Sie einen Anruf von Ihrem Mitteilungssystem erhalten, drücken Sie das Reglerrad, um auf die Ziffern zuzugreifen, über die Sie Ihre Mitteilungen verwalten können.

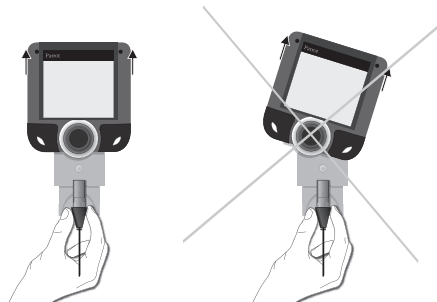


Hinweis: Die Verfügbarkeit einiger Funktionen (Spracherkennung, Wahlwiederholung, diskreter Modus) ist ausschließlich von Ihrem Telefon abhängig. Weitere Informationen finden Sie auf der Website www.parrot.com, Rubrik «Kundenkontakt».

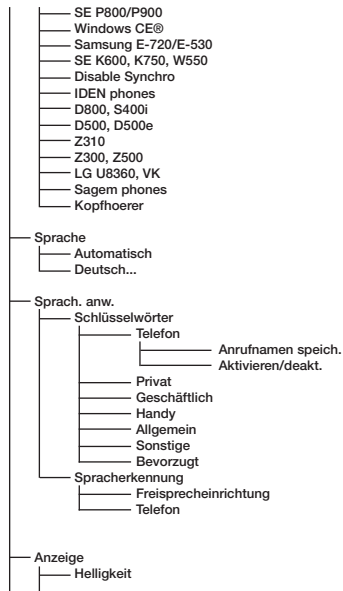
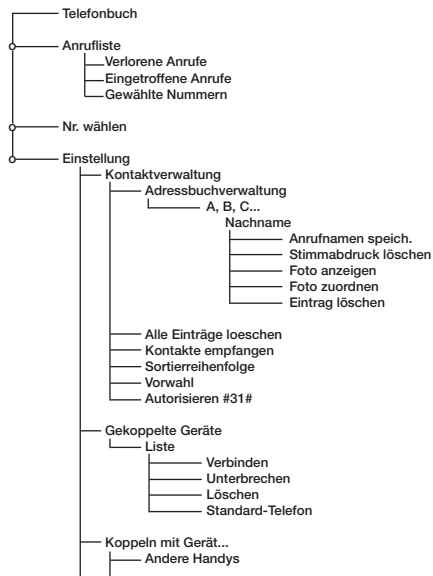
ENTNAHME DES DISPLAYS DER PARROT 3200 LS-COLOR PLUS

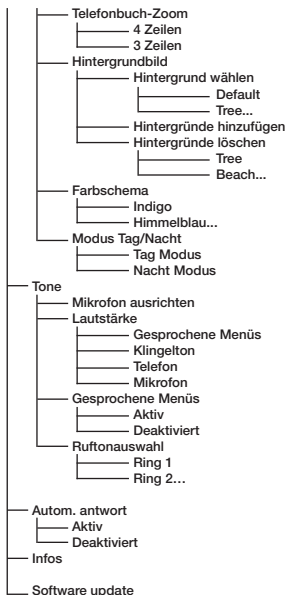
Die Parrot 3200 LS-COLOR PLUS ist mit einem USB-Anschluss ausgestattet. Deshalb können Sie beim Verlassen des Fahrzeugs das Display ganz einfach von der Freisprechanlage trennen.

Bevor Sie das Display entfernen, müssen Sie auf jeden Fall zuerst die Zündung ausschalten und auf die Anzeige der Meldung «Auf Wiedersehen» auf der Freisprechanlage warten. Für die Entnahme des Displays sollten Sie das Kabel der Parrot 3200 LS-COLOR PLUS festhalten und das Display vertikal aus seinem Sockel ziehen.



MENU





ZUGRIFF AUF DIE MENÜS

TELEFONBUCH

Im Anschluss an die Kopplung Ihres Telefons mit dem Parrot 3200 LS-COLOR PLUS wird automatisch die Synchronisation Ihres Telefonbuchs gestartet. Nach dem Synchronisationsvorgang («Synchronisation beendet») steht das Telefonbuch Ihres Telefons auch auf dem Display der Freisprecheinrichtung zur Verfügung. Wenn Sie auf das Telefonbuch zugreifen und einen Teilnehmer anrufen möchten, drehen Sie das Reglerrad, um auf die Menüs zuzugreifen, und wählen dann das Menü «Telefonbuch». Durchlaufen Sie die Buchstaben des Alphabets bis zum ersten Buchstaben des Namens des gewünschten Teilnehmers, und bestätigen Sie Ihre Auswahl. Für den ausgewählten Teilnehmer werden Name und Telefonnummern angezeigt. Wählen Sie die Nummer aus, die angerufen werden soll.

Wenn Ihr Telefon keine automatische Synchronisation der Kontakte unterstützt, können Sie diese manuell vom Telefon aus auf die Freisprechanlage übertragen. Welche Möglichkeiten Ihnen mit Ihrem Telefon gegeben sind, erfahren Sie auf der Website www.parrot.com.

Hinweis: Die Verfügbarkeit der Funktionen «Automatische Synchronisation der Kontakte» und «Manuelle Übertragung der Kontakte» ist ausschließlich von Ihrem Telefon abhängig. Weitere Informationen finden Sie auf der Website www.parrot.com. Rubrik «Kundenkontakt».

ANRUFLISTE

Über dieses Menü werden sämtliche Anrufe angezeigt, untergliedert in drei Untermenüs:
 Gewählte Nummern / Eintreffende Anrufe / Verlorene Anrufe.
 Die Liste wird automatisch mit derjenigen Ihres Telefons synchronisiert und ermöglicht Ihnen den Rückruf eines Teilnehmers, dessen Anruf Sie versäumt haben.

- Wählen Sie den gewünschten Kontakt in den Untermenüs aus.
- Drücken Sie das Reglerrad oder die grüne Taste, um den Kontakt zurückzurufen.

Hinweis: Die Verfügbarkeit dieser Funktion ist ausschließlich von Ihrem Telefon abhängig. Weitere Informationen finden Sie auf der Website www.parrot.com, Rubrik «Kundenkontakt».

NUMMER WÄHLEN

Wählen Sie dieses Menü, um direkt über die Freisprecheinrichtung eine Rufnummer zu wählen.

- Drehen und drücken Sie dann das Reglerrad, um eine Ziffer auszuwählen.
- Über das Papierkorbsymbol kann die letzte Ziffer jeweils wieder gelöscht werden.
- Drücken Sie nach der Eingabe der Nummer auf die grüne Taste, um die Nummer zu wählen.

EINSTELLUNG

Dieses Menü ermöglicht Ihnen die Einstellung bestimmter Parameter im Hinblick auf eine optimierte Verwendung der Freisprechanlage.

KONTAKTVERWALTUNG

Dieses Menü ermöglicht Ihnen die Verwaltung der Kontakte auf dem Parrot 3200 LS-COLOR PLUS. Nach Auswahl des Kontakts in der Liste (Zugriff über das Menü «Adressbuchverwaltung») können Sie einen Stimmabdruck speichern oder löschen, das verknüpfte Foto anzeigen bzw. löschen oder den gesamten Eintrag aus dem Telefonbuch entfernen.

Wenn Sie einen neuen Kontakt mit einem zugeordneten Foto empfangen möchten (sofern diese Funktion von Ihrem Telefon unterstützt wurde), wählen Sie «Kontakte empfangen». Wählen Sie dann auf Ihrem Telefon den Kontakt aus, den Sie per *Bluetooth* an die



Freisprecheinrichtung senden möchten. Werden Sie anschließend von diesem Kontakt angerufen, erscheinen sowohl das Foto als auch der Name der Person auf dem Display.

Hinweis: Die Verfügbarkeit einiger Funktionen ist ausschließlich von Ihrem Telefon abhängig. Weitere Informationen finden Sie auf der Website www.parrot.com, Rubrik «Kundenkontakt». Sie finden dort ebenfalls aktuelle Hinweise für eine optimale Verwendung Ihres Telefons.

SPRACHERKENNUNG

SPRACHERKENNUNG WÄHLEN

Die Parrot 3200 LS-COLOR PLUS ermöglicht Ihnen den Rückgriff auf die Spracherkennungsfunktion Ihres Mobiltelefons, sofern diese Funktion von Ihrem Telefon unterstützt wird. Darüber hinaus stellt die Parrot 3200 LS-COLOR PLUS eine eigene Spracherkennung zur Verfügung. Damit Sie von dieser Funktion profitieren können, muss Ihr Telefon die Übertragung der Kontakte auf die Freisprechanlage ermöglichen. Die Spracherkennungsfunktion Ihres Autos ist- in einem Autok anzupassen.

Wir raten ihren Freisprecheinrichtung mit dieser Wahl einzustellen.

- Freisprecheinrichtung: Die Auswahl der Stimmabdrücke erfolgt im Speicher der Freisprecheinrichtung.
- Telefon: Die Auswahl der Stimmabdrücke erfolgt im Speicher des Telefons.

SCHLÜSSELWÖRTER

Anhand von Schlüsselwörtern können Sie unter den verschiedenen, für einen Kontakt gespeicherten Rufnummern eine Auswahl treffen: Büro, Privat oder Handy. Durch die Speicherung von Schlüsselwörtern sind Sie in der Lage, Telefongespräche zu führen, ohne dazu die Hände vom Lenkrad nehmen zu müssen. Die gesamte Kommunikation wird allein über Ihre Stimme gesteuert. Alle Schlüsselwörter müssen gespeichert werden, um als bestätigt zu gelten.

- Zur Speicherung der Schlüsselwörter müssen Sie lediglich ein erstes Schlüsselwort auswählen, das Sie speichern möchten.

- Der Aufnahme- bzw. Speichervorgang sollte in einer geräuscharmen Umgebung erfolgen. Schalten Sie den Motor aus, schließen Sie die Wagenfenster und setzen Sie sich auf den Fahrersitz. Nähern Sie sich nicht unnötig dem Mikrofon der Parrot 3200 LS-COLOR PLUS, sondern behalten Sie die Position bei, die Sie auch während des Fahrens einnehmen.
- Die Freisprechanlage fordert Sie zur lauten Aussprache des Schlüsselworts auf. Bei erfolgreicher akustischer Aufnahme des Schlüsselworts werden Sie aufgefordert, dasselbe Schlüsselwort ein zweites Mal auszusprechen.
- Im Anschluss an die Speicherung des Schlüsselworts geht die Parrot 3200 LS-COLOR PLUS dann automatisch zum nächsten Schlüsselwort über.

GEKOPPELTE GERÄTE

Der Parrot 3200 LS-COLOR PLUS ermöglicht Ihnen die Kopplung von bis zu 5 *Bluetooth*-Telefonen, wobei in einer Sitzung jeweils nur zu einem Telefon eine Verbindung hergestellt werden kann. Über das Menü Standard-Telefon definieren können Sie eine Verbindung zu einem Telefon herstellen oder trennen oder ein Telefon im Speicher der Freisprecheinrichtung löschen. Über «Haupt-Benutzer» sind Sie in der Lage, die Priorität zu steuern, die einem *Bluetooth*-Telefon beim Verbindungsaufbau eingeräumt wird, wenn sich mehrere Telefone im Wagen befinden.

Wichtig: *Beim Löschen einer Kopplung gehen alle Stimmabdrücke verloren, die den Kontakten des betreffenden Telefons zugeordnet wurden.*

KOPPELN MIT GERÄT

Vor der Kopplung Ihres *Bluetooth*-Telefons müssen Sie den dem Telefon entsprechenden Modus aktivieren. Nach dem Auswählen des Modus wird ein Code mit 4 (zufälligen) Ziffern angezeigt. Starten Sie die Suche nach *Bluetooth*-Peripheriegeräten über Ihr Telefon. Sobald Sie die Freisprecheinrichtung gefunden haben, markieren Sie sie und geben den zuvor angezeigten Code ein.

Hinweis: *Um eine größere Kompatibilität mit Telefonen bereitstellen zu können, werden in den zukünftigen Versionen mit Sicherheit noch weitere Kopplungsmodi hinzukommen.*

SPRACHE

Wählen Sie eine Sprache für die Anzeige der Menüs auf dem Parrot 3200 LS-COLOR PLUS.

ANZEIGE

- Helligkeit: Stellen Sie mithilfe des Reglerads das gewünschte Niveau ein und bestätigen Sie Ihre Einstellung durch Drücken des Reglerads.
- Telefonbuch-Zoom: Ermöglicht eine Anzeige der Telefonbucheinträge über 3 oder 4 Zeilen.
- Hintergrund: Ermöglicht Ihnen die Auswahl eines Hintergrundbilds.
- Farbschema: Verweist auf die Auswahl eines Farbthemas.

SOUNDS

- Lautstärke: Stellen Sie mithilfe des Reglerads die Lautstärke der Gesprächsübertragung und den Grad der Empfindlichkeit der Mikrofone ein.
- Gesprochene Menüs: Stellen Sie die Lautstärke für die von der Freisprecheinrichtung laut ausgegebenen Elemente auf das gewünschte Niveau ein.
- Ruftonauswahl: Wählen Sie für die Telefone, die bei eingehenden Anrufen nicht einen eigenen Klingelton ausgeben, den Klingelton, der beim Anruf eines Teilnehmers ertönen soll.
- Mikrofon Ausrichtung: Dieses Menü ermöglicht Ihnen die Auswahl einer bevorzugten Ausrichtung für die zwei Mikrofone unter mehreren Möglichkeiten. Dadurch lässt sich für die Übertragung Ihrer Stimme an Ihre Gesprächspartner eine deutlich bessere Audioqualität gewährleisten. Folgende Ausrichtungen stehen zur Auswahl:

- Ausrichtung links: Der Fahrer befindet sich links von der Freisprechanlage.
- Ausrichtung Mitte: Der Fahrer befindet sich der Freisprechanlage genau gegenüber.
- Ausrichtung rechts: Der Fahrer befindet sich rechts von der Freisprechanlage.
- Keine bevorzugte Ausrichtung: In diesem Fall kann der Gesprächspartner die Stimmen von Fahrer und Beifahrer hören. Dadurch wird jedoch die all gemeine Geräuschreduzierung eingeschränkt.

AUTOMATISCHE ANTWORT

Aktivieren Sie diesen Modus, wenn das Parrot 3200 LS-COLOR PLUS eingehende Anrufe automatisch annehmen soll.

INFOS

Dieses Menü ermöglicht Ihnen die Anzeige von Informationen zur Version der geladenen Software.

AKTUALISIERUNG

Sie haben die Möglichkeit, die Softwareversion Ihres Parrot 3200 LS-COLOR PLUS über eine *Bluetooth*-Verbindung zu aktualisieren. Aktivieren Sie vor der Aktualisierung diesen Modus. Die Aktualisierung erfolgt dann per *Bluetooth* über einen *Bluetooth*-fähigen Computer. Durch eine Aktualisierung können neue Funktionen hinzugefügt werden. Außerdem lässt sich die Kompatibilität mit den jeweils neuesten Funktionen von immer mehr Telefonen verbessern. Weitere Informationen hierzu finden Sie auf unserer Website: www.parrot.com.

HOTLINE

Unsere Hotline steht zu Ihrer Verfügung - per E-Mail oder Telefon: Montag bis Freitag von 9:00 Uhr bis 18:00 Uhr (GMT +1). Weitere Informationen finden Sie auf unserer Website www.parrot.com.

Europa : [+33] 1 48 03 60 69 (Englisch, Französisch, Spanisch und Deutsch)

Frankreich : 01 48 03 60 69

Italien : [+39] 02 86 39 14 63

Spanien : [+34] 902 404 202

Großbritannien : [+ 44] (0) 870 112 5872

Deutschland : 0900 172 77 68

USA : [+1] (877) 9 PARROT (gebührenfrei)

China : [+86] (0) 2164 601 944

Hong Kong: [+852] 2736 1169

PARROT 3200 LS-COLOR PLUS
SVENSKA



INNEHÅLL

Inledning	37
Innehåll i Förpackningen ingår.....	38
Installation	39
• Bilradio med «line in»-ingångar:	39
• Bilradio med ISO-anslutning:	39
• Bilradio utan ISO-anslutningar:	39
• Installation av kabeln som ingår i utrustningen:	39
• Kontroll av installationen:	39
Användning av «Line»-ingång	39
Användning av ISO-anslutningar	40
Installation av skärmen för Parot 3200 LS-COLOR PLUS	40
Ihoppning med din telefon: Den första användningen	41
Funktioner	42
Borttagning av skärmen	43
Menyer	43
Visa menyerna	44
• Katalog	45
• Calls	45
• Slå ett nummer	45
Preferenser	46
• Hantera kontakterna	46
Röstigenkänning	46
• Val av röstigenkänningen	46
• Nyckelord	46
• Ihopparade apparater	46
• Anpassa en telefon	47
• Språk	47
• Visning	47
• Ljud	47
• Automatiskt svar	47
• Information	48
Uppdatering	48
Hotline	48



INLEDNING

Bluetooth -teknologin möjliggör röst- och datakommunikation genom radioförbindelse på kort avstånd. Den gör det möjligt för ett stort antal elektroniska apparater att kommunicera med varandra, bland annat telefoner och handsfreetrustningar.

Tack vare en mångårig erfarenhet inom signalbehandling och röstigenkänning kan Parrot lansera en handsfreetrustning med en ljudkvalitet i kommunikation som är ännu bättre. Parrot 3200 LS-COLOR PLUS har Beamforming-teknologi genom en dubbel mikrofon inbyggd i skärmen på handsfreetrustningen. Denna teknologi möjliggör en bättre kommunikationskvalitet tack vare en optimal brusreducering.

Tack för att du köpte en handsfreetrustning från Parrot. Med Parrot 3200 LS-COLOR PLUS kan du ringa telefonsamtal från bilen utan att lyfta händerna från ratten.

Med sitt färggränssnitt och sin anpassbara bakgrund är Parrot 3200 LS-COLOR PLUS en ytterst användarvänlig handsfreetrustning.

Den fungerar som en riktig tilläggsutrustning till din mobiltelefon.

Dessutom kan du ta med dig skärmen till Parrot 3200 LS-COLOR PLUS då du går ut ur bilen.



INNEHÅLL I FÖRPACKNINGEN INGÅR

- LCD-färgskärm.
- Installationskabel.
- Elektronisk styrbbox.
- Bruksanvisning.
- Hållare för festsättning.
- Mikrofon.

INSTALLATION

Välj först platsen där du vill ha färgskärmen i bilkupén. Vi rekommenderar att placera den mitt på instrumentpanelen eller i närheten av dig. Skärmen får inte tryckas mot instrumentpanelen i bilen.

Kontrollera att du ser skärmen bra och att den inte stör dig när du ser ut på vägen. Då handsfreeutrustningen är färdigt installerad och tagits i bruk, kan du justera skärmens ljusstyrka. Installationskabeln är utrustad med ISO-anslutningar och 2 sorters «line out»-utgångar för anslutning till «line in»-ingångarna till ett ljudsystem, om det finns ett sådant i bilen.

BILRADIO MED «LINE IN»-INGÅNGAR:

Använd denna typ av anslutning då du ansluter den bruna och den vita (eller den röda och den svarta) kabeln till «line in»-ingången i ljudsystemet samt den gula kabeln till muteingången i bilradion.

BILRADIO MED ISO-ANSLUTNING:

Koppla ur ISO-anslutningarna från bilradion. Anslut ISO-anslutningarna av hontyp på utrustningens kabel till bilradion. Anslut ISO-anslutningarna i bilen till ISO-anslutningarna av hontyp på utrustningens kabel. Om bilradion har en muteingång skall den gula ledningstråden i kabeln som ingår i utrustningen anslutas till motsvarande muteingång («Mute in

1», «Mute in 2» eller «Mute in 3».

BILRADIO UTAN ISO-ANSLUTNINGAR:

Du behöver en adapterkabel som gör det möjligt att omvandla den specifika anslutningen till en ISO-anslutning. Detta gör att installationen blir likadan som en installation med ISO-anslutning. Parrot erbjuder en serie ISO-adapterkablar. Besök gärna vår webbplats: www.parrot.com.

INSTALLATION AV KABELN SOM INGÅR I UTRUSTNINGEN:

Kontrollera kopplingsschemat för bilradions ISO-kablar.

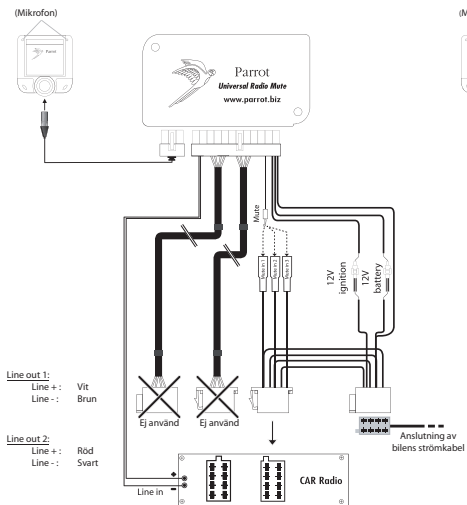
Den röda ledningstråden i utrustningens kabel skall anslutas till permanent +12V, den orangea till 12V efter tändning och den svarta till jord. I vissa bilar måste den röda och den orangea ledningstråden kastas om. Detta sker helt enkelt genom att kasta om de två säkringshållarna. I andra bilar finns inte +12v efter tändning på bilradions anslutningar och i så fall måste man ansluta direkt den orangea ledningstråden till en tillgänglig +12v efter tändning i bilen.

. Anslut inte den orangea tråden till permanent 12V, det skulle kunna ladda ur bilens batteri.

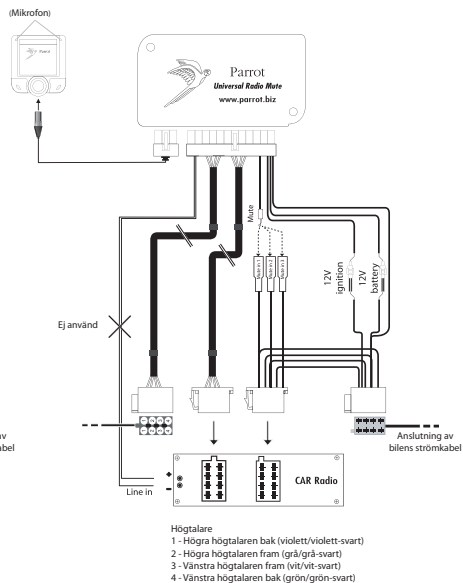
KONTROLL AV INSTALLATIONEN:

Om din Parrot 3200 LS-COLOR PLUS är rätt installerad, bör du kunna se meddelandet «au revoir» (på återseende) på skärmen, då du slår ifrån tändningen i bilen.

ANVÄNDNING AV «LINE»-INGÅNG



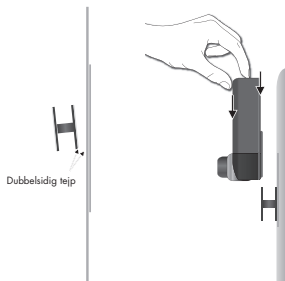
ANVÄNDNING AV ISO-ANSLUTNINGAR



INSTALLATION AV SKÄRMEN FÖR PARROT 3200 LS-COLOR PLUS

För att erhålla en kommunikation av optimal kvalitet skall du inte klistra fast skärmen direkt på instrumentpanelen. Använd för detta ett av de två bifogade stöden. Med det första stödet kan du placera skärmen mot instrumentpanelen.

- Klistra dubbelsidig tejp på den ena plana sidan av stödet och en annan bit dubbelsidig tejp på instrumentpanelen.
- Fäst stödet på instrumentpanelen.
- Placera sedan skärmen på stödet.

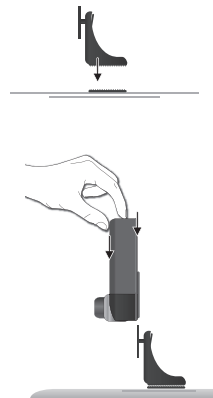


VIKTIGT :

Tänk på att ta bort skärmen då du lämnar bilen, för att undvika risker för stöld och långvarig exponering för solljus.

Med det andra stödet kan du placera skärmen för Parrot 3200 LS-COLOR PLUS högre upp.

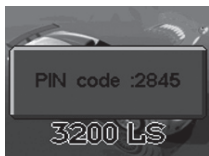
- Klistra ett kardborrband på stödet och ett annat på instrumentpanelen.
- Fäst stödet på instrumentpanelen.
- Placera sedan skärmen på stödet



IHOPPARNING MED DIN TELEFON: DEN FÖRSTA ANVÄNDNINGEN

Vid den första påslagningen av Parrot 3200 LS-COLOR PLUS skall du para ihop din telefon med utrustningen.

- Aktivera *Bluetooth* på din telefon.
- Navigera i handsfreeutrustningens menyer fram till: Preferenser, Koppla telefon..., och välj det alternativ som motsvarar din telefon. En 4-siffrig PIN-kod visas då på skärmen. Lagra den.
- Starta en sökning av kringutrustning: Ytterligare information om detta moment hittar du i bruksanvisningen för din telefon (kapitlet *Bluetooth*) eller på vår webbplats: www.parrot.com, under rubriken handledning för användaren.
- Då sökningen är avslutad visas «Parrot 3200 LS» på telefonen.
- Välj utrustningen, din telefon ber dig knappa in en kod: tryck koden som visas på utrustningens skärm och validera på telefonen.
- «Ihopparring pågår» visas på utrustningens skärm.
- Då alla data har utväxlats visas «Ihopparringen avslutad» på Parrot 3200 LS-COLOR PLUS.
- Parrot 3200 LS-COLOR PLUS är då ansluten till din telefon.



Vid ihopparringen av en första telefon med din Parrot 3200 LS-COLOR PLUS, blir du automatiskt ombedd att ställa in den dubbla mikrofonens riktning. Detta steg gör det möjligt för utrustningen att erbjuda personen du talar med en förbättrad kommunikationskvalitet. Följande inställningar är möjliga:

- Vänsterriktning: Föraren befinner sig till vänster om handsfreeutrustningen.
- Mittriktning: Föraren är mitt emot handsfreeutrustningen.
- Högerriktning: Föraren befinner sig till höger om handsfreeutrustningen.
- Ingen riktning har företräde: Personen i andra änden kan höra både föraren och passageraren. Brusreduceringen är då mindre effektiv.

Du kan ändra denna inställning senare i menyn «Preferenser / ...» Då förbindelsen har upprättats visas *Bluetooth*-logon på skärmen (utom på vissa telefoner som använder Headsetprofil). Vissa telefoner erbjuder extra funktioner, som t. ex. visning av telefonens namn på utrustningens skärm, visning av nätets och batteriets nivå samt namnet på din nätoperatör. Du kan ta reda på vilka funktioner din telefon erbjuder genom att besöka vår webbplats www.parrot.com och gå till rubriken Support.

Då din telefon är ansluten till din handsfreeutrustning är menyerna i Parrot 3200 LS-COLOR PLUS tillgängliga och deras namn uttalas av handsfreeutrustningen då du vrider på tumhjulet. Gå in i menyerna genom att trycka på den gröna knappen (eller tumhjulet). För att gå ut trycker du på den röda knappen.

Du kan nu använda handsfreeutrustningen för dina telefonsamtal.

- Ta emot ett samtal: tryck på den gröna knappen för att svara.
- Avsluta ett samtal: tryck på den röda knappen.
- Ateruppringningsfunktion: tryck två sekunder på den gröna knappen på handsfreeutrustningen för att ringa upp det senast uppringda numret på nytt.
- Volyminställning: vrid på tumhjulet under samtalet för att justera ljudvolymen.

FUNKTIONER

På utrustningens skärm ges de viktigaste uppgifterna om din telefon, bl.a. din katalog.

- Automatisk nedladdning av din telefonkatalog.
- Visning av namn och bild på den person som ringer.
- Uppringning av kontakter med hjälp av röstigenkänningen som ingår i systemet.
- Bortkoppling av bilradion under samtalet.
- Samtalslogg.
- Inställning av ljudvolymen under samtalet.
- Hantering av förfrågningssamtal.
- Automatisk återuppringning av senast slagna nummer.
- Ändring av skärmbakgrund.
- Inställning av ljusstyrkan.
- Val av ringsignal.
- Inställning av språk.
- DTMF: vid samtal från din brevlåda, tryck på tumhjulet för att komma åt siffrorna för hantering av dina meddelanden.



Dial number



Phone book

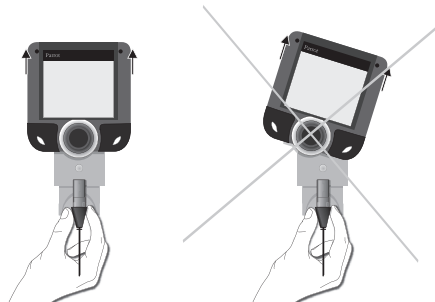
Obs: Användningen av vissa av dessa funktioner (Röstigenkänning, Återuppringning, Sekretessläge) är endast beroende av din telefon. På vår hemsida www.parrot.com hittar du ytterligare information under rubriken Support.

BORTTAGNING AV SKÄRMEN

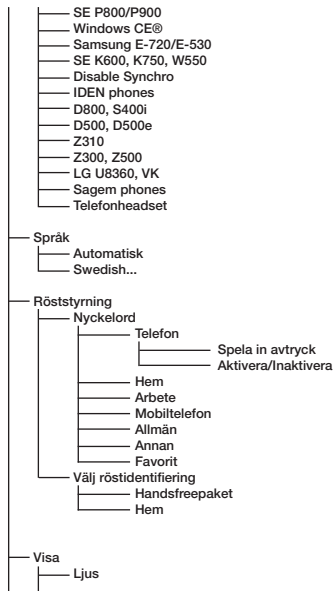
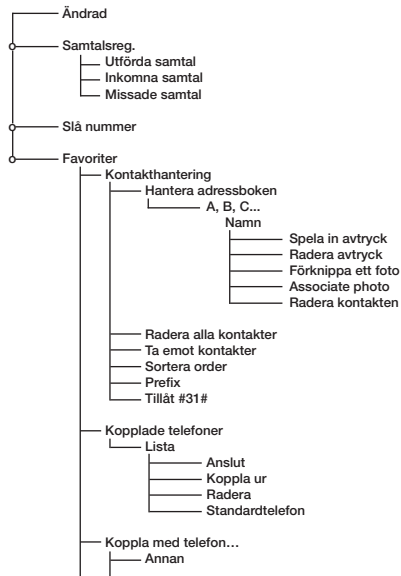
Parrot 3200 LS-COLOR PLUS är försedd med en USB-anslutning. Du kan ta loss skärmen från handsfreeutrustningen då du lämnar bilen.

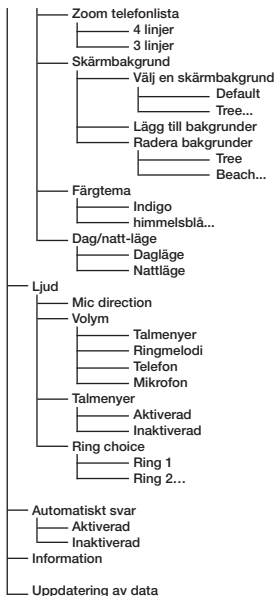
Det är viktigt att slå ifrån tändningen i bilen och sedan vänta tills Parrot 3200 LS-COLOR PLUS visar meddelandet «au revoir» (på återseende) innan man frigör skärmen från handsfreeutrustningen.

Vid borttagning av skärmen rekommenderar vi att hålla kvar kabeln för Parrot 3200 LS-COLOR PLUS och sedan ta loss skärmen lodrätt från dess stöd.



MENYER





VISA MENYERNA

KATALOG

Efter ihoppärningen med Parrot 3200 LS-COLOR PLUS synkroniseras din katalog automatiskt (*). Då synkroniseringen är avslutad kan du komma åt telefonens katalog från handsfreetrustningens skärm. För att komma åt den och ringa upp ett nummer vrids du på tumhjulet för att visa menyerna och sedan väljer du Katalog. Bläddra fram bokstäverna ända tills du kommer till den första bokstaven i namnet på önskad person och godkänner. Där hittar du namnet och de olika telefonnumren till personen. Välj det telefonnummer som skall ringas upp.

(* Beror på din *Bluetooth*-telefonmodell. Besök vår webbplats www.parrot.com där du hittar de senaste upplysningarna om synkroniseringen. Om din telefon inte tillåter automatisk synkronisering av kontakterna, kan du sända dina kontakter manuellt till handsfreetrustningen. Information om de senaste metoderna hittar du på vår hemsida www.parrot.com.

Obs: Funktionerna Automatisk synkronisering av kontakterna och Manuell sändning av kontakterna är endast beroende av din telefon. På vår hemsida www.parrot.com hittar du ytterligare information under rubriken Support.

CALLS

Denna rubrik visar listan över samtal och är indelad i tre undermenyer: Missade samtal / Mottagna samtal / Ringda samtal. Den synkroniseras automatiskt med loggen i din telefon (*) och du kan visa den för att ringa upp en person från vilken du missat ett samtal.

- Välj kontakten i dessa menyer.
- Tryck på tumhjulet eller den gröna knappen för att ringa upp numret på nytt.

Obs: Användningen av denna funktion är endast beroende av din telefon. På vår hemsida www.parrot.com hittar du ytterligare information under rubriken Support.

SLÅ ETT NUMMER

Välj denna meny för att slå ett nummer direkt från handsfreetrustningen.

- Vrid och tryck på tumhjulet för att välja en siffra.
- Ikonen för papperskorgen raderar den senaste siffran.
- Då numret har knappats in trycker du på grön knapp för att ringa upp.

PREFERENSER

Denna meny ger dig möjlighet att utföra inställningar som behövs för en bättre användning av din handsfreetrustning.

HANTERA KONTAKTERNA

Denna meny ger dig möjlighet att hantera kontakterna i Parrot 3200 LS-COLOR PLUS. Då du har valt en kontakt i listan (visa menyn Hantera kontakter) kan du lagra eller ta bort ett röstavtryck, visa eller radera fotot eller ta bort kontakten ur katalogen.

För att ta emot en kontakt med tillhörande foto (om telefonen stöder detta), markerar du Ta emot en kontakt. Från telefonen väljer du den kontakt du vill få sänd till handsfreetrustningen av *Bluetooth*. När sedan denna person ringer upp dig, kommer hans/hennes foto och namn att visas på utrustningens skärm. Du kan även ändra ordningsföljden tillnamn-förnamn till förnamn-tillnamn.



Obs: Användningen av vissa funktioner är endast beroende av din telefon. På vår hemsida www.parrot.com hittar du ytterligare information under rubriken Support. Där finns även uppgifter om de senaste metoderna för användning av din telefon.

RÖSTIGENKÄNNING

VAL AV RÖSTIGENKÄNNINGEN

Röstigenkänningen i Parrot 3200 LS-COLOR PLUS är komplettare och kraftigare än hos telefoner och fungerar även i en bullersam miljö. Parrot 3200 LS-COLOR PLUS ger dig möjlighet att använda röstigenkänningen hos din mobiltelefon, om den har denna funktion. Parrot 3200 LS-COLOR PLUS ger dig även möjlighet att använda enhetens egen röstigenkänning. Din telefon bör då kunna sända kontakter till din handsfreetrustning, för att kunna utnyttja denna funktion. Eftersom handsfreetrustningens röstigenkänning är den lämpligaste för att användas i en bil, rekommenderar vi att ställa in utrustningens parametrar i enlighet därmed.

- Röstigenkänning carkit: de valda röstavtrycken är de som lagras i handsfreetrustningens minne.
- Röstigenkänning telefon: de valda röstavtrycken är de som lagras i telefonens minne

NYCKELORD

Med nyckelorden går det att välja olika typer av telefonnummer som är förknippade med kontakten: arbete, hem, mobil...

Inspelningen av nyckelord ger dig möjlighet att ringa utan att behöva lyfta händerna från ratten. Du kan styra hela förbindelsen med rösten. Alla nyckelord måste spelas in för att kunna godkännas.

- För att spela in nyckelorden behöver du bara välja de nyckelord du vill spela in.
- Vi rekommenderar att utföra inspelningen på en lugn plats.

Stäng av motorn, stäng bilrutorna och sätt dig på förarplatsen. Närma dig inte mikrofonen i Parrot 3200 LS-COLOR PLUS och sitt kvar i köräge.

- Handsfreeutrustningen ber dig uttala nyckelordet. Om ljudinspelningen är acceptabel, ber den dig uttala samma nyckelord en gång till.
- Då du spelat in ett nyckelord övergår Parrot 3200 LS-COLOR PLUS automatiskt till inspelning av nästa nyckelord.

IHOPPARADE APPARATER

Parrot 3200 LS-COLOR PLUS ger dig möjlighet att para ihop upp till 5 *Bluetooth*-telefoner, men en enda kan anslutas vid ett användningstillfälle. Menyn ihopparade apparater ger dig möjlighet att ansluta, frikoppla eller ta bort en telefon ur handsfreeutrustningens minne. Från Definiera favorittelefon kan du styra prioriteringen av *Bluetooth*-telefonen vid förbindelser med flera telefoner i bilen.

Märk: Då du tar bort en ihopparning förlorar du alla de röstavtryck som hade tilldelats kontakterna för denna telefon.

ANPASSA EN TELEFON

Innan du anpassar din *Bluetooth*-telefon skall du aktivera det läge som motsvarar *Bluetooth*-telefonen.

Då läget markerats visas en (slumpmässig) 4-siffrig kod. Starta sökningen av *Bluetooth*-kringutrustning från din telefon. Då handsfreeutrustningen hittats markerar du den och knappar in koden.

Obs: För en bättre kompatibilitet med telefoner kan nya anpassningsmetoder eventuellt läggas till i de kommande versionerna.

SPRÅK

Markera språket för visning av menyerna i din Parrot 3200 LS-COLOR PLUS.

VISNING

5 rubriker ger dig möjlighet att anpassa visningen av informationer:

- Ljusstyrka: Vrid på tumhjulet för att erhålla önskad nivå och bekräfta genom att klicka på det.
- Zoom i katalog: Möjliggör visning på 3 eller 4 rader i menyen Katalog.
- Bakgrund: Ger dig möjlighet att välja en bakgrundsbild.
- Tema: Motsvarar valet av ett färgtema.

LJUD

- Volym: Använd tumhjulet för att justera volymnivån för samtal och känslighetsnivån för mikrofonerna.
- Talmenyer: Justera volymen för prompterna i handsfreeutrustningen till önskad nivå.
- Val av ringsignal: För telefoner som inte spelar sin ringsignal vid inkommande samtal väljer du den ringsignal du vill höra då en person ringer upp dig
- Mikrofonens riktning: Denna meny ger dig möjlighet att prioritera en riktning för den dubbla mikrofonen bland de möjliga riktningarna och låta utrustningen erbjuda personen i andra änden en bättre kommunikationskvalitet. Följande inställningar är möjliga
 - Vänsterriktning: Föraren befinner sig till vänster om handsfreeutrustningen.
 - Mittriktning: Föraren är mitt emot handsfreeutrustningen.
 - Högerriktning: Föraren befinner sig till höger om handsfreeutrustningen.
 - Ingen riktning har företräde: Personen i andra änden kan höra både föraren och passageraren. Brusreduceringen är då mindre effektiv.

AUTOMATISKT SVAR

Aktivera denna funktion om du vill att Parrot 3200 LS-COLOR PLUS automatiskt besvarar inkommande samtal.

INFORMATION

Denna meny ger dig möjlighet att visa information om den installerade mjukvarans version.

UPPDATERING

Du kan uppdatera mjukvaruversionen i din Parrot 3200 LS-COLOR PLUS med *Bluetooth*. Aktivera denna funktion före uppdateringen. Detta utförs av *Bluetooth* från en dator som är utrustad med *Bluetooth*. Uppdateringen möjliggör nya funktioner och förbättrar kompatibiliteten med avancerade funktioner hos ett större antal telefoner.

Besök vår webbplats för ytterligare information: www.parrot.com

HOTLINE

Vår hotline står till din tjänst.

Du kan kontakta den via e-post eller per telefon.

Måndag till fredag, från kl. 9.00 till kl. 18.00 (GMT +1).

Koppla upp dig till vår webbplats www.parrot.com för ytterligare information

- Italien : [+39] 02 86 39 14 63
- Spanien : [+34] 902 404 202
- Storbritannien : [+44] (0)870 112 5872
- Tyskland : 0900 172 77 68
- USA : [+1] (877) 9 Parrot (toll free)
- Kina : [+86] (0)21 6460 1944
- Hong Kong: [+852] 2736 1169
- France : 01 48 03 60 69
- Europa : [+33] 1 48 03 60 69 (Spoken languages : French, English, Spanish and German).

PARROT 3200 LS-COLOR PLUS
DANSK



INDHOLDSFORTEGNELSE

Introduktion	52
Pakkens indhold	53
Installation	
• Bilradio med «line in»-indgange	53
• Bilradio med ISO-stik	53
• Bilradio uden ISO-stik	53
• Installation af bilsættets kabel	53
• Kontrol af installationen	53
Brug af linjeindgangstiket	54
Brug af ISO-sti	54
Montering af skærmen Parot 3200 LS-COLOR PLUS	55
Sammenkobling med mobiltelefonen: Brug første gang	56
Funktioner	57
Menuer	57
Afmonter af skærmen	57
Adgang til menuerne	
• Telefonliste	59
• Opkaldsoversigt	59
• Indtastning af nummer	60
Indstillinger	
• Håndtering af kontaktpersoner	60
Stemme genkendelse	
• Valg af stemme genkendelse	60
• Nøgleord	60
• Tilkoblede apparater	61
• Parvis kodning af en telefon	61
• Sprog	61
• Skærm	61
• Lyde	61
• Automatisk svar	62
• Information	62
Opdatering	62
Hotline	62



INTRODUKTION

Med *Bluetooth*-teknologien kan der oprettes tale- og datakommunikation via en radioforbindelse over kort afstand. Teknologien giver forskelligt elektronisk udstyr mulighed for at kommunikere indbyrdes, blandt andet mobiltelefoner og håndfrie sæt.

Parrot benytter sine mange års erfaring i signalbehandling og stemmegenkendelse til at introducere et håndfrit sæt med en højere lyd kvalitet under kommunikation. Parrot 3200 LS-COLOR PLUS drager fordel af Beamforming-teknologien via en dobbeltmikrofon indbygget i det håndfrie sæts skærm. Denne teknologi giver højere opkaldskvalitet ved hjælp af forbedret støjreduktion.

Tak, fordi du har købt et håndfrit sæt fra Parrot. Med Parrot 3200 LS-COLOR PLUS kan du foretage telefonopkald fra bilen, mens du holder hænderne på rattet.

Med farvebrugerfladen og den brugervalgte baggrund er Parrot 3200 LS-COLOR PLUS det mest brugervenlige håndfrie sæt.

Det fungerer som en forlængelse af din mobiltelefon. Du kan derudover tage Parrot 3200 LS-COLOR PLUS-skærmen med dig, når du forlader bilen.



PAKKENS INDHOLD

- LCD-farveskærm
- Installationskabel
- Elektronikboks
- Brugsanvisning
- Holder
- Mikrofon

INSTALLATION

Vælg først det sted, hvor farveskærmen skal monteres i bilen. Vi anbefaler, at den placeres midt på instrumentbrættet eller tæt på førerpladsen. Skærmen må ikke sidde fast mod bilens instrumentbræt. Sørg for, at skærmens vinkel er god, og at skærmen ikke generer førerens udsyn over vejen. Når det håndfrie sæt er fuldt installeret og taget i brug, kan skærmens lysstyrke indstilles. Installationskablet er udstyret med ISO-stik og to linjeudgangsstik, som evt. kan tilsluttes bilradioens linjeindgangsstik.

BILRADIO MED "LINE IN"-INDGANGE:

Brug denne type forbindelse ved at tilslutte den brune og hvide (eller røde og sorte) ledning til bilens linjeindgangsstik og den gule ledning til bilens mute-indgangsstik.

BILRADIO MED ISO-STIK:

Tag ISO-stikkene ud af bilradioen. Tilslut ISO-hanstikket på sættets kabel til bilradioen. Forbind bilens ISO-stik med ISO-hanstikkene på sættets kabel.

Hvis bilradioen er udstyret med et mute-in-stik, skal den gule ledning på sættets kabel forbindes med det tilsvarende mute-in-stik (mute-in 1, 2 eller 3).

BILRADIO UDEN ISO-STIK:

Der kræves et adapterkabel for at omdanne de specifikke forbindelser til et ISO-stik. Som følge af dette bliver monteringen det samme som med et ISO-stik. Parrot tilbyder en række ISO-adapterkabler. Besøg vores websted på adressen www.parrot.com.

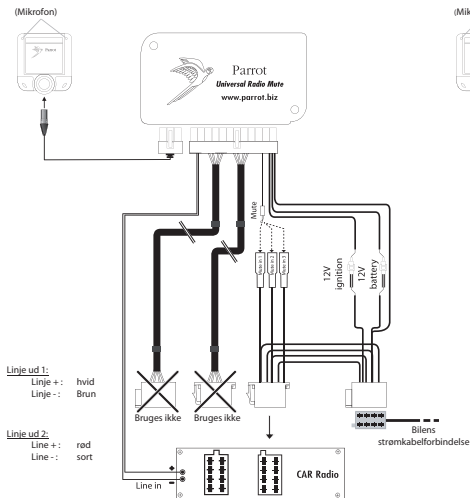
INSTALLATION AF BILSÆTTETS KABEL:

Kontroller ledningsdiagrammet til bilradioens ISO-kabel. Den røde ledning på sættets kabel skal forbindes med den konstante +12 V-forsyning, den orange ledning med tændingens 12 V og den sorte ledning til stel. På nogle biler skal der muligvis byttes om på de røde og orange ledninger. Det gøres nemt ved at bytte om på de to sikringsholdere. På andre biler mangler tændingens 12 V muligvis fra bilradioens stik, hvilket betyder, at du skal forbinde den orange ledning direkte med en tilgængelig 12 V-tændingskilde i bilen. Forbind ikke den orange ledning med den konstante 12 V-forsyning, da det kan få bilens batteri til at løbe tør.

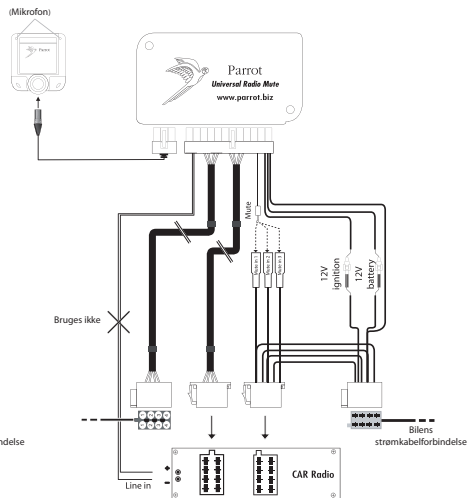
KONTROL AF INSTALLATIONEN:

Hvis Parrot 3200 LS-COLOR PLUS er korrekt installeret, vises meddelelsen «På gensyn» på skærmen, når du afbryder bilens tænding.

BRUG AF LINJEINDGANGSSTIKKET



BRUG AF ISO-STI



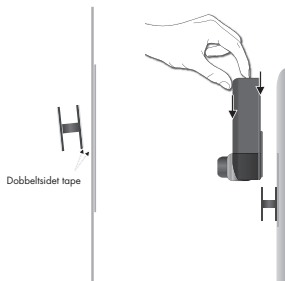
Højttalere

- 1 - Bageste højre højttaler (lilla/lilla-sort)
- 2 - Forreste højre højttaler (grå/grå-sort)
- 3 - Forreste venstre højttaler (hvid/hvid-sort)
- 4 - Bageste venstre højttaler (grøn/grøn-sort)

MONTERING AF SKÆRMEN PARROT 3200 LS-COLOR PLUS

Af hensyn til optimal opkaldskvalitet må skærmen ikke sættes direkte fast på instrumentbrættet. Brug et af de to medfølgende beslag. Med det første beslag kan du placere skærmen mod instrumentbrættet.

- Sæt dobbeltsidet tape på en af de flade sider af beslaget og på instrumentbrættet.
- Placer beslaget på instrumentbrættet.
- Sæt derefter skærmen ind i beslaget.

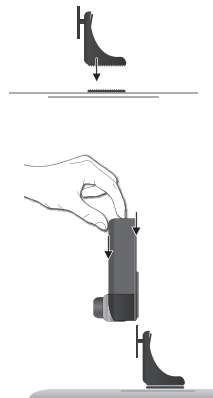


VIGTIGT!

Husk at tage skærmen med dig, når du forlader bilen, for at forebygge tyveri og undgå, at skærmen udsættes for sollys i længere tid.

Med det andet beslag kan du placere skærmen Parrot 3200 LS-COLOR PLUS højere oppe.

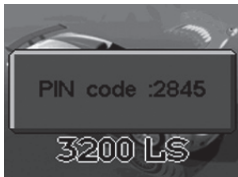
- Sæt en af Velcro-strimlerne på beslaget og den anden strimmel på instrumentbrættet.
- Placer beslaget på instrumentbrættet.
- Sæt derefter skærmen ind i beslaget.



SAMMENKOBLING MED MOBILTELEFONEN: BRUG FØRSTE GANG

Første gang bilsættet Parrot 3200 LS-COLOR PLUS tændes, skal mobiltelefonen kobles sammen med det håndfrie sæt.

- . Aktiver mobiltelefonens *Bluetooth*-forbindelse.
- . Vælg følgende menupunkter i menuerne på det håndfrie sæt: Indstillinger, Tilkobl telefonen..., og vælg den indstilling, der passer til din telefon. Herefter vises en 4-cifret PIN-kode på skærmen. Gem den.
- . Start herefter en søgning efter tilbehør:
- . Yderligere oplysninger om denne handling finder du i brugsanvisningen til mobiltelefonen (i afsnittet om *Bluetooth*) eller på webstedet www.parrot.com under afsnittet med brugerhåndbøger.
- . Når søgningen er afsluttet, vises «Parrot 3200 LS» på mobiltelefonen.
- . Vælg bilsættet, hvorefter du skal indtaste en kode på telefonen. Indtast den kode, der vises på bilsættets skærm, og godkend på mobiltelefonen.
- . "Tilkobling i gang" vises på bilsættets skærm.
- . Når oplysningerne er udvekslet, vises «Tilkobling udført» på Parrot 3200 LS-COLOR PLUS.
- . Herefter opretter Parrot 3200 LS-COLOR PLUS forbindelse til din mobiltelefon.



Når den første telefon kobles til Parrot 3200 LS-COLOR PLUS, bliver du automatisk bedt om at justere dobbeltmikrofonens retning. Det vil give sættet mulighed for at øge opkaldskvaliteten for de personer, der ringer dig op.

Der er følgende retninger:

- Venstre: Føreren befinder sig til venstre for det håndfrie sæt.
- Midt: Føreren befinder sig ud for det håndfrie sæt.
- Højre: Føreren befinder sig til højre for det håndfrie sæt.
- Ingen særlig retning: Både føreren og passageren kan høres under opkaldet. Støjreduktion er i givet fald mindre effektiv.

Du kan efterfølgende ændre denne indstilling ved at gå til menuen «Indstillinger / ...».

Når forbindelsen er oprettet, vises *Bluetooth*-logoet på skærmen (undtagen hvis telefonen er udstyret med profilen Headset).

Nogle telefoner indeholder yderligere funktioner, f.eks. visning af mobiltelefonens navn på bilsættets skærm, visning af netværkets niveauer og batteriets ladestand foruden teleoperatørens navn. Se under overskriften Support på vores websted på adressen www.parrot.com for at få oplysninger om telefonens funktioner.

Når telefonen er tilsluttet det håndfrie sæt, er menuerne i Parrot 3200 LS-COLOR PLUS tilgængelige, og deres navn siges højt af det håndfrie sæt, når du drejer betjeningsknappen. Åbn en menu ved at trykke på den grønne knap (eller på indstillingsknappen). Tryk på den røde knap for at afslutte menuen.

FUNKTIONER

På bilsættets skærm vises de væsentligste oplysninger, du har gemt på telefonen, blandt andet telefonlisten.

- Automatisk overførsel af telefonens telefonliste.
- Visning af navn på den person, der ringer, samt personens billede.
- Opkald til kontaktpersoner ved hjælp af bilsættets funktion til stemmegenkendelse.
- Afbrydelse af bilradioen under samtale.
- Opkaldsoversigt.
- Regulering af lydstyrken under samtale.
- Styring af to samtidige opkald.
- Automatisk genkald af den person, der senest er ringet til.
- Skift af baggrundsbilledet.
- Indstilling af lysstyrken.
- Valg af ringetonen.
- Indstilling af sprog.
- DTMF: Hvis du vil ringe til din telefonsvarer, skal du trykke på indstillingsknappen for at få adgang til de tal, der skal bruges til at håndtere meddelelserne.



Dial number



Phone book

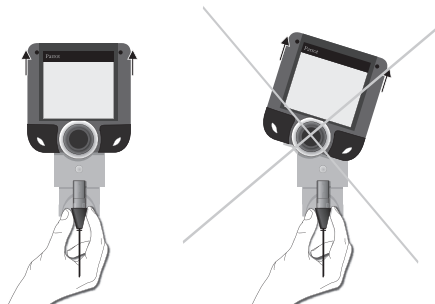
Bemærk! Brugen af visse funktioner (stemmegenkendelse, genopkald, diskret tilstand) afhænger udelukkende af telefonen. Se under overskriften *Support* på vores websted www.parrot.com for at få yderligere oplysninger.

AFMONTER AF SKÆRMEN

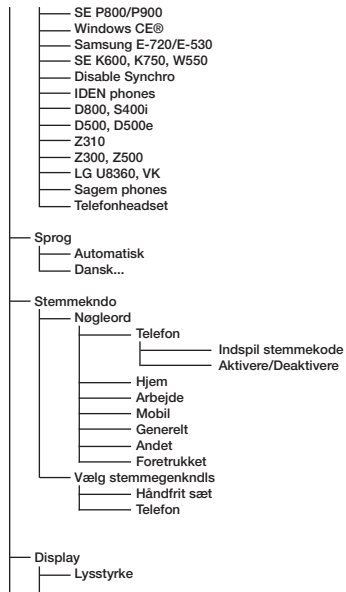
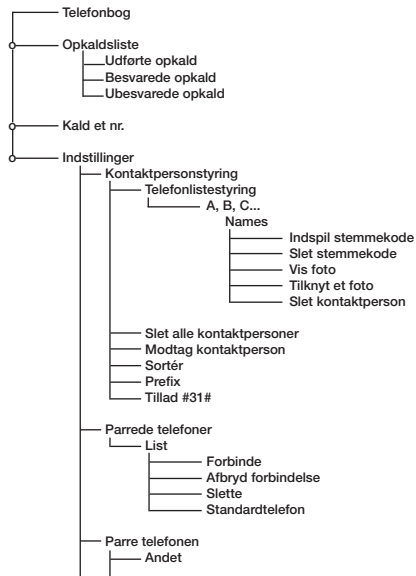
Parrot 3200 LS-COLOR PLUS er udstyret med et USB-stik. Du kan fjerne det håndfrie sæt, når du forlader bilen.

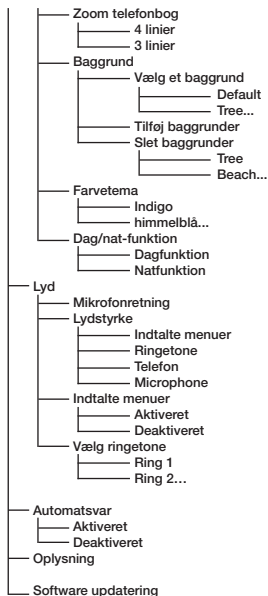
Det er vigtigt at slå bilens tænding fra og derefter vente, indtil Parrot 3200 LS-COLOR PLUS viser «På gensyn», inden du kobler skærmen fra det håndfrie sæt.

For at fjerne skærmen anbefales det at holde i kablet til Parrot 3200 LS-COLOR PLUS og derefter skubbe skærmen lodret ud af holderen.



MENUER





ADGANG TIL MENUERNE

TELEFONLISTE

Når mobiltelefonen er koblet sammen med Parrot 3200 LS-COLOR PLUS, begynder synkroniseringen af telefonen automatisk. Når telefonlisten er synkroniseret, vil telefonens telefonliste være tilgængelig fra det håndfrie sæt. Drej indstillingsknappen for at få adgang til menuerne, og vælg Telefonliste for at ringe til en person på listen. Rul gennem bogstaverne, indtil det første bogstav i den ønskede persons navn vises, og godkend. Herefter vises den pågældende persons navn og de forskellige telefonnumre. Vælg det nummer, du vil ringe til.

Hvis telefonen ikke understøtter funktionen til automatisk synkronisering af telefonbøger, kan du sende dine kontaktpersoner manuelt fra telefonen til det håndfrie sæt. Oplysninger om at få mest muligt ud af de mest opdaterede procedurer finder du på vores websted på adressen www.parrot.com.

Bemærk! Funktionerne «Automatisk synkronisering af telefonbøger» og «Send kontaktpersoner manuelt» afhænger udelukkende af telefonen. Se under overskriften Support på vores websted www.parrot.com for at få yderligere oplysninger.

OPKALDSOVERSIGT

Under dette emne vises opkaldslisten, der er opdelt i tre undermenuer: Ubesvarede opkald / Modtagne opkald / Udgående opkald. Den synkroniseres automatisk med telefonens telefonliste (*), og du kan åbne den for at ringe til en person, hvis opkald du ikke besvarede.

- Vælg kontaktpersonen i menuen.
- Tryk på indstillingsknappen eller på den grønne knap for at ringe op.

Bemærk! Brugen af denne funktion afhænger udelukkende af telefonen. Se under overskriften Support på vores websted www.parrot.com for at få yderligere oplysninger.

(*) Afhænger af Bluetooth-telefonens model.

INDTASTNING AF NUMMER

Vælg denne menu for at indtaste et nummer direkte fra bilsættet.

- Drej indstillingsknappen, og tryk på den for at vælge et ciffer.
- Papirkurvs-ikonet sletter det sidste ciffer.
- Når nummeret er indtastet, skal du trykke på den grønne knap for at aktivere opkaldet.

INDSTILLINGER

Med denne menu kan du justere de nødvendige indstillinger for at få det meste ud af dit håndfrie sæt.

HÅNTERING AF KONTAKTPERSONER

Denne menu bruges til at håndtere kontaktpersonerne på Parrot 3200 LS-COLOR PLUS. Når du har valgt en kontaktperson på listen (åbn menuen Håndter kontaktpersoner), kan du gemme eller slette en stemmekode, se eller slette et foto eller slette kontaktpersonen fra telefonlisten. Du kan modtage en kontaktperson med det tilhørende billede (hvis funktionen understøttes af telefonen) ved at vælge Modtag kontaktperson. Vælg den kontaktperson, der skal sendes via *Bluetooth* til det håndfrie sæt, på mobiltelefonen. Når denne person herefter ringer til dig, vises personens billede og navn på bilsættets skærm. Du kan også bytte om på sorteringsrækkefølgen: Skift fra efternavn-fornavn til fornavn-efternavn.



Bemærk! Brugen af visse funktioner afhænger udelukkende af telefonen. Se under overskriften Support på vores websted www.parrot.com for at få yderligere oplysninger. Der finder du også de mest opdaterede procedurer til din telefon.

STEMMEGENKENDELSE

VALG AF STEMMEGENKENDELSE

Med Parrot 3200 LS-COLOR PLUS kan du bruge telefonens stemmegenkendelsesfunktion, hvis den er tilgængelig. Med Parrot 3200 LS-COLOR PLUS kan du også bruge dens egen stemmegenkendelsesfunktion. Din telefon skal kunne sende kontaktpersoner til det håndfrie sæt for at kunne bruge denne funktion.

- Stemmegenk. bilsæt: De valgte stemmekoder er indtalt i det håndfrie bilsæts hukommelse.
- Stemmegenk. telefon: De valgte stemmekoder er indtalt i telefonens hukommelse.

NØGLEORD

Med nøgleord kan du vælge de forskellige typer telefonnumre, der er knyttet til din kontaktperson: arbejde, hjemme, mobil osv.

Ved hjælp af disse nøgleord kan du telefonere uden at slippe rattet. Du kan styre hele samtalen med stemmen.

Alle nøgleord skal være indkodet, før de kan bruges.

- Du indkoder nøgleordene ved blot at vælge det nøgleord, du vil optage.
- Det anbefales at optage nøgleordene i stille omgivelser, slukke for motoren, lukke vinduerne og sørge for, at du sidder i førersædet. Kom ikke tæt på mikrofonen på Parrot 3200 LS-COLOR PLUS, og sørg for at blive i din normale kørestilling.
- Det håndfrie sæt beder dig om at sige nøgleordet højt. Hvis nøgleordet optages korrekt, bliver du bedt om at gentage det.

- Når et nøgleord er optaget, er Parrot 3200 LS-COLOR PLUS automatisk klar til at optage det næste nøgleord.

TILKOBLEDE APPARATER

Med Parrot 3200 LS-COLOR PLUS kan du tilkoble op til 5 *Bluetooth*-mobiltelefoner. Der kan dog kun være én mobiltelefon tilsluttet ad gangen. Du kan tilkoble, frakoble og slette en telefon i bilsættets hukommelse via menuen Tilkoblede apparater.

Med menupunktet Vælg foretrukken telefon kan du styre den prioritering, du giver *Bluetooth*-telefonen, når der er flere tilkoblede telefoner i bilen.

Obs: Når en tilkobling slettes, mistes alle de stemmekoder, der er tildelt denne telefons kontaktpersoner.

PARVIS KODNING AF EN TELEFON

Før du koder *Bluetooth*-telefonen, skal du aktivere den funktion, der svarer til *Bluetooth*-telefonen.

Når funktionen er valgt, vises en 4-cifret kode (vilkårlig).

Start søgningen efter *Bluetooth*-tilbehør fra telefonen.

Når det håndfrie sæt er fundet, skal du vælge det og indtaste denne kode.

Bemærk! Der kan blive tilføjet nye kodningsfunktioner i senere versioner for at opnå større kompatibilitet med telefonerne.

SPROG

Vælg et sprog til menuerne på Parrot 3200 LS-COLOR PLUS.

SKÆRM

Du kan vælge personlige indstillinger for skærmvisningen med følgende fem menupunkter:

- Lysstyrke: Brug indstillingsknappen til at vælge det ønskede niveau, og godkend med et tryk på knappen.
- Zoom på telefonlisten: Bruges til visning af oplysninger på tre eller fire linjer i menuen Telefonliste.
- Baggrund: Du kan vælge et billede som skærmens baggrund.
- Tema: Svarer til at vælge et farvetema.

LYDE

- Lydstyrke: Brug indstillingsknappen til at justere lydstyrken for en samtale og mikrofonernes følsomhedsniveau.
- Talemenuer: Juster lydstyrken på det håndfrie sæts prompter til det ønskede niveau.
- Vælg af ringetone: For de telefoner, der ikke afspiller ringetonen ved et indgående opkald, skal du vælge den ringetone, du foretrækker, når en person ringer til dig.
- Mikrofonretning: Med denne menu kan du vælge en bestemt retning til dobbeltmikrofonen og dermed sikre den højeste opkaldskvalitet. Der er følgende retninger:

- Venstre: Føreren befinder sig til venstre for det håndfrie sæt.
- Midt: Føreren befinder sig ud for det håndfrie sæt.
- Højre: Føreren befinder sig til højre for det håndfrie sæt.
- Ingen særlig retning: Både føreren og passageren kan høres under opkaldet. Støjreduktion er i givet fald mindre effektiv.

AUTOMATISK SVAR

Aktiver denne funktion, hvis Parrot 3200 LS-COLOR PLUS automatisk skal besvare indgående opkald.

INFORMATION

I denne menu vises oplysninger om den indbyggede softwareversion.

OPDATERING

Du kan opdatere softwareversionen på Parrot 3200 LS-COLOR PLUS via *Bluetooth*-forbindelsen. Aktiver denne funktion, før du udfører opdateringen.

Opdateringen udføres med *Bluetooth*-forbindelsen fra en computer, der er udstyret med *Bluetooth*.

Opdateringen tilføjer nye funktioner og forbedrer kompatibiliteten med de avancerede funktioner på en lang række telefoner.

Du kan finde yderligere oplysninger herom på vores webside: www.parrot.com

HOTLINE

Vores hotline står til rådighed for at hjælpe.

Du kan kontakte tjenesten via e-mail eller pr. telefon.

Der er åbent fra mandag til fredag fra kl. 9.00 til 18.00 (GMT +1).

Besøg vores websted www.parrot.com, hvis du ønsker yderligere oplysninger.

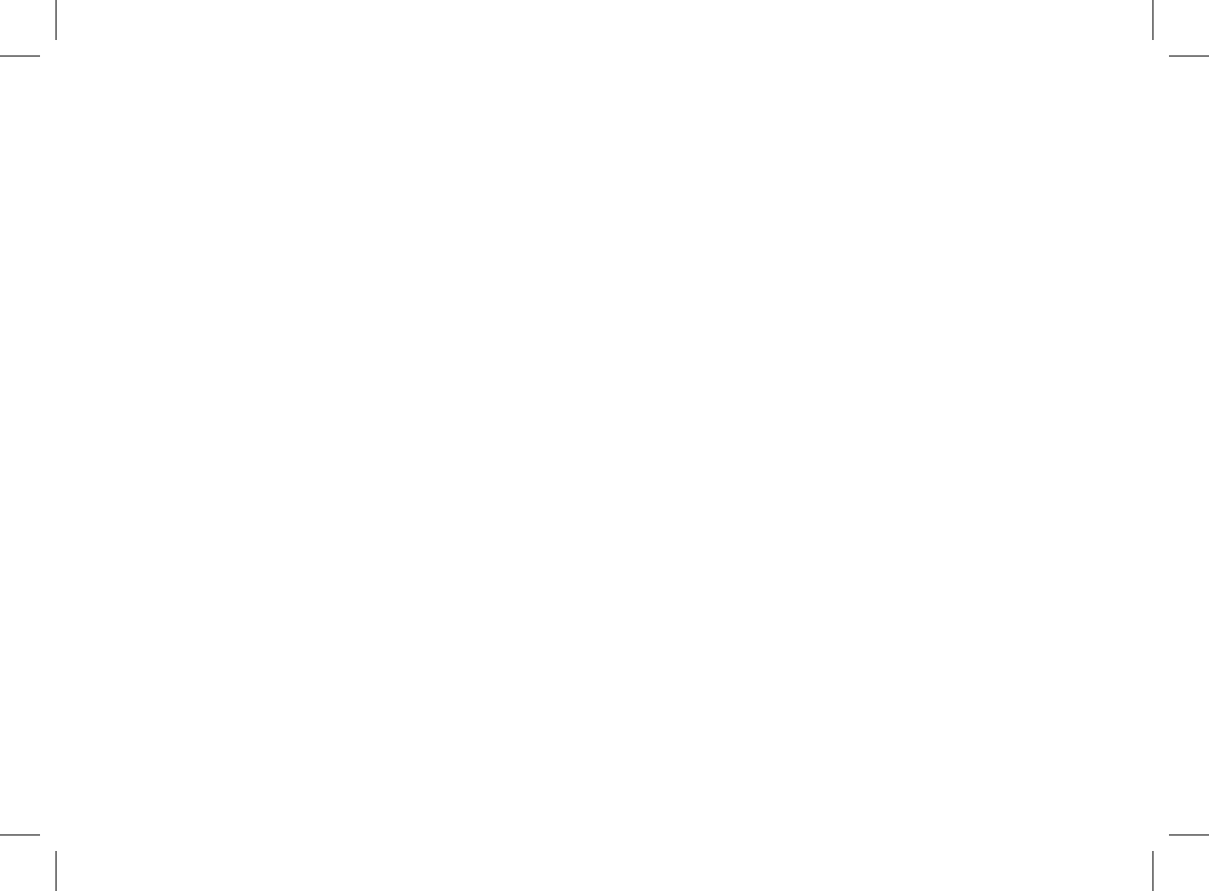
- Italien : [+39] 02 86 39 14 63
- Spanien : [+34] 902 404 202
- UK : [+44] (0)870 112 5872
- Tyskland : 0900 172 77 68
- USA : [+1] (877) 9 Parrot (toll free)
- Kina : [+86] (0)21 6460 1944
- Hong Kong : [+852] 2736 1169
- France : 01 48 03 60 69
- Europa : [+33] 1 48 03 60 69 (Spoken languages : French, English, Spanish and German).

**PARROT 3200 LS-COLOR PLUS
NORSK**



INNHold

Innledning	66
Pakkens innhold	67
Installasjon	
• Bilradio med «line in»-inntak	67
• Bilradio med «ISO»-kontakt	67
• Bilradio uten «ISO»-kontakter	67
• Installasjon av settets ledning	67
• Kontroll av installasjonen	67
Bruk av «Line»-intak	68
Bruk av ISO-kontakter	68
Installasjon av Parrot 3200 LS-COLOR PLUS display	69
Paring med din telefon: Første gangs bruk	70
Funksjoner	71
Ta ut displayet	71
Menyer	72
Tilgang til menyene	
• Telefonbok	73
• Anropsjournal	73
• Slå nummer	74
Preferanser	
• Styre kontakter	74
Talegjenkjenneelse	
• Talegjenkjenneelsesvalg	74
• Nøkkelord	74
• Apparater som er parert	75
• Foreta paring av en telefon	75
• Språk	75
• Display	75
• Lyd	75
• Automatisk svar	76
• Informasjon	76
Oppgradering	76
Hotline	76



INNLEDNING

Med *Bluetooth*-teknologien kan du opprette tale- og datakommunikasjon via en kortdistanse-radioforbindelse. Med den kan mange elektroniske utstyrsenheter kommunisere seg imellom, spesielt telefoner og handsfreesett.

Parrot drar fordel av mange års erfaring innen signalbehandling og talegjenkjennelse, og innfører et handsfreesett med usedvanlig god samtalekvalitet. Parrot 3200 LS-COLOR PLUS utnytter Beamforming-teknologien gjennom en dobbel mikrofon som er innebygd i displayet på handsfreesettet. Denne teknologien gir bedre kommunikasjonskvalitet takket være optimal støyreduksjon.

Takk for at du kjøpte et Parrot handsfreesett. Med Parrot 3200 LS-COLOR PLUS kan du foreta anrop i bilen med hendene på rattet. Parrot 3200 LS-COLOR PLUS har et grensesnitt med farge og en skjermbakgrunn som kan brukertilpasses, og er dermed det handsfreesettet som er mest behagelig å bruke. Det fungerer som en utvidelse av din mobiltelefon. Dessuten kan du ta med deg displayet til Parrot 3200 LS-COLOR PLUS når du forlater bilen.



PAKKENS INNHOLD

- LCD- fargeskjerm.
- Installasjonsledning.
- Elektronisk enhet.
- Bruksanvisning.
- Holdere.
- Mikrofon.

INSTALLASJON

Først velger du det stedet i bilkupéen din hvor du vil sette fargedisplayet. Vi anbefaler at du setter den midt på dashbordet eller i nærheten av deg. Displayet må ikke trykkes ned mot bilens dashbord.

Sørg for at du har en god synsvinkel på displayet og at det ikke hindrer utsikten mot veien. Når du har installert handsfreesettet og slått det på, kan du stille inn lysstyrken på displayet.

Installasjonsledningen har «ISO»-kontakter og to «line out»-uttak for kobling til "line in"-inntakene på et lydsystem hvis dette foreligger.

BILRADIO MED «LINE IN»-INNTAK:

Bruk fortrinnsvis denne typen kobling ved å forbinde de brune og hvite ledningstrådene (eller røde og sorte) på "line in"-inntaket på lydsystemet og den gule ledningstråden for Mute på bilradioen.

BILRADIO MED «ISO»-KONTAKT:

Koble fra ISO-kontaktene fra bilradioen. Forbind ISO-hannpluggene på settets ledning med bilradioen. Forbind bilens ISO-kontakter med ISO-hunnkontaktene på settets ledning.

Hvis bilradioen har Mute-inntak, forbinde du den gule ledningstråden i settets ledning med det tilsvarende Mute-inntaket («Mute in 1», «Mute in 2» eller «Mute in 3»).

BILRADIO UTEN «ISO»-KONTAKTER:

En adapterledning er nødvendig. Den gjør det mulig å omgjøre det spesifikke koblingssystemet til et ISO-koblingssystem. Dermed blir installasjonen identisk med en installasjon med "ISO"-kontakt. Parrot tilbyr en serie med ISO-adapterkabler. Besøk vårt webområde: www.parrot.com

INSTALLASJON AV SETTETS LEDNING:

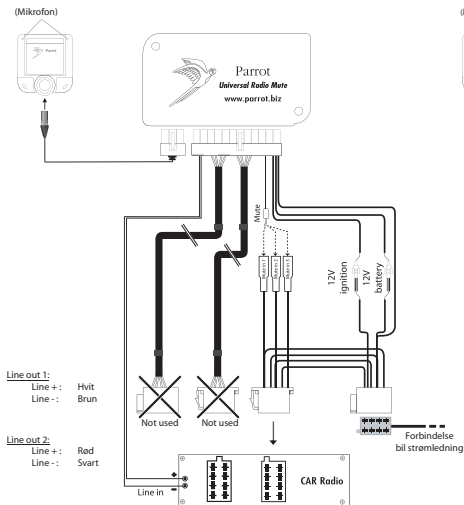
Sjekk det elektriske diagrammet for bilradioens "ISO"-ledningsbunt. Den røde ledningstråden i settets ledning skal være forbundet med den permanente +12V, den oransje ledningstråden med 12V etter tenning og den sorte ledningstråden med jordingen. På enkelte biler er det nødvendig å ombytte de røde og oransje ledningstrådene. Denne operasjonen utfører du ganske enkelt ved å bytte om de to sikringsholderne. På andre biler forekommer ikke +12v etter tenning på bilradioens kontakter, og du må du forbinde den oransje ledningstråden direkte med en +12v etter tenning, som er tilgjengelig på bilen.

. Ikke forbind den oransje ledningstråden til den permanente 12V, for da risikerer du å lade ut batteriet.

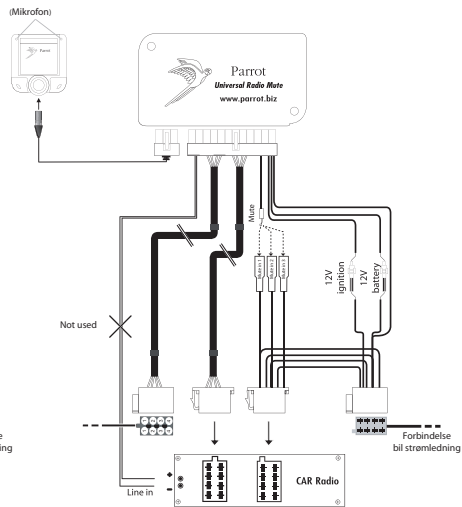
KONTROLL AV INSTALLASJONEN:

Hvis Parrot 3200 LS-COLOR PLUS er korrekt installert, ser du meldingen «vi ses» på displayet når du slår av tenningen.

BRUK AV «LINE»-INNTAK



BRUK AV ISO-KONTAKTER



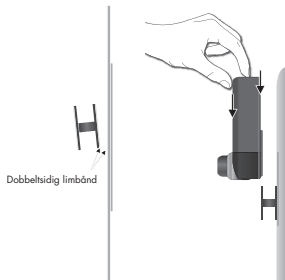
Høyttalere

- 1 - Bakre høyre høyttaler (fiolett/fiolett-svart)
- 2 - Fremre høyre høyttaler (grå/grå-svart)
- 3 - Fremre venstre høyttaler (hvit/hvit-svart)
- 4 - Bakre venstre høyttaler (grønn/grønn-svart)

INSTALLASJON AV PARROT 3200 LS-COLOR PLUS DISPLAY

For å oppnå kommunikasjon med optimal kvalitet må du unngå å legge displayet tett mot til dashbordet.
Bruk en av holderne som fulgte med. Den første holderen gjør det mulig å sette displayet mot dashbordet.

- Fest et dobbeltsidig limbånd på en av de slette flatene på holderen og et annet dobbeltsidig limbånd på dashbordet.
- Sett holderen på dashbordet.
- Sett så displayet på holderen.

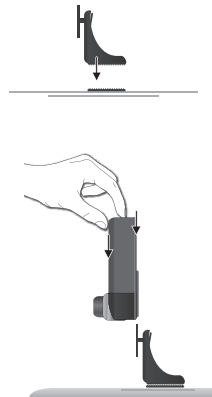


VIKTIG:

Husk å fjerne displayet når du forlater bilen for å unngå risiko for tyveri og vedvarende soleksponering.

Den andre holderen gjør det mulig å plassere displayet til Parrot 3200 LS-COLOR PLUS i høyden.

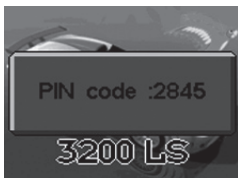
- Lim ett borrelåsbånd på holderen og et annet på dashbordet.
- Sett holderen på dashbordet.
- Sett så displayet på holderen.



PARING MED DIN TELEFON: FØRSTE GANGS BRUK

Når du slår på Parrot 3200 LS-COLOR PLUS for første gang, må du foreta paring av telefonen din med settet.

- Aktiver *Bluetooth* på din telefon.
- I handsfreesettet navigerer du gjennom menyene til du kommer til: Preferanser, Paring av telefon...., og velger det alternativet som samsvarer med din telefon. Det angis så en 4-sifret PIN-kode på displayet. Husk den.
- Start et søk etter perifere enheter: Hvis du ønsker ytterligere opplysninger om denne operasjonen, kan du lese i bruksanvisningen for din telefon (kapitlet *Bluetooth*) eller besøke våre sider: www.parrot.com, rubrikken brukerveiledninger.
- Når søket er avsluttet, angis «Parrot 3200 LS™» på din telefon.
- Merk settet. Telefonen ber deg om å taste en kode: Tast den koden som angis på settets display, og bekreft på din telefon.
- «Paring pågår» angis på settets display.
- Når dataene er utvekslet, angis «paring avsluttet» på Parrot 3200 LS-COLOR PLUS.
- Parrot 3200 LS-COLOR PLUS kobler seg da opp til din telefon.



Ved paring av en første telefon med din Parrot 3200 LS-COLOR PLUS blir du automatisk bedt om å stille inn den dobbelte mikrofonens retning. Denne operasjonen gir bedre lyd kvalitet for din samtalepartner. Følgende retninger er mulige:

- Venstre: Sjøføren sitter til venstre for handsfreesettet.
- Midten: Sjøføren sitter rett foran handsfreesettet.
- Høyre: Sjøføren sitter til høyre for handsfreesettet.
- Ingen foretrukken retning: Samtalepartneren kan da høre både sjøføren og passasjeren. Støyreduksjonen er da mindre effektiv.

Du kan deretter endre denne innstillingen ved hjelp av menyen «Preferanser /».

Når forbindelsen er opprettet, vises *Bluetooth*-logoen på displayet (unntatt på enkelte telefoner som bruker headsetprofilen).

Enkelte telefoner har ekstra funksjoner, f.eks. visning av din telefons navn på settets display, visning av dekning og batterinivå og navnnet på operatøren. Du finner listen over telefonens funksjoner på vårt webområde www.parrot.com, rubrikken Support.

Når telefonen er koblet til handsfreesettet, er menyene på Parrot 3200 LS-COLOR PLUS tilgjengelige, og settet uttaler også navnene på menyene når du dreier på rulleknappen. Gå inn i menyene ved å trykke på den grønne knappen (eller rulleknappen). For å gå ut av menyene trykker du på den røde knappen.

FUNKSJONER

På settets display finner du hovedopplysningene i din telefon, spesielt telefonboken.

- Automatisk nedlasting av din telefonbok.
- Visning av anroperens navn og bilde.
- Anrop til kontakter ved å bruke settets talegjenkjennerse.
- Bilradioen slås av i løpet av samtalen.
- Anropsjournal.
- Justering av lydstyrken i løpet av samtalen.
- Styring av dobbelt anrop.
- Automatisk oppringing til siste samtalepartner.
- Endring av skjermbakgrunn.
- Innstilling av lysstyrke.
- Valg av ringetone.
- Valg av språk.
- DTMF: Under et anrop fra din meldingsboks, trykk på rulleknappen for å få tilgang til de sifrene som du kan bruke for å styre dine meldinger.



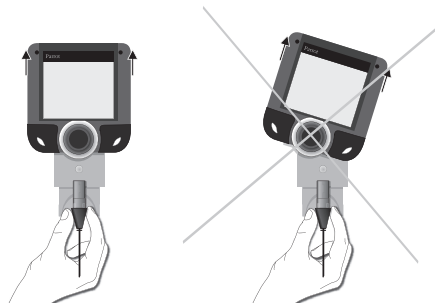
Merk: Bruken av enkelte av disse funksjonene (Talegjenkjenning, Gjentakelse, Diskret modus) avhenger kun av din telefon. Gå til vårt webområde www.parrot.com, rubrikk Support, for ytterligere opplysninger.

TA UT DISPLAYET

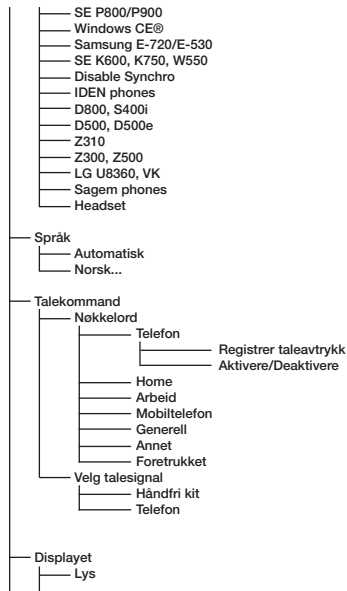
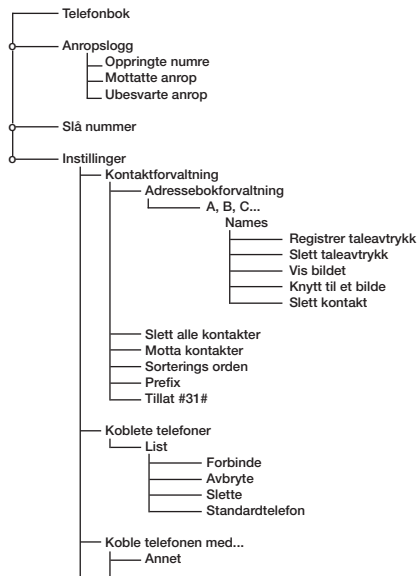
Parrot 3200 LS-COLOR PLUS er utstyrt med en USB-kontakt. Du kan fjerne displayet fra ditt handsfreesett når du forlater bilen.

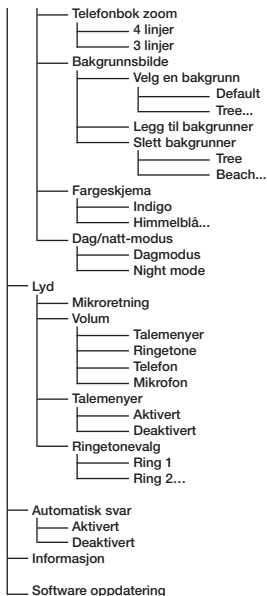
Det er viktig å slå av tenningen og vente på at Parrot 3200 LS-COLOR PLUS viser meldingen «vi ses» før du tar displayet bort fra handsfreesettet.

For å ta ut displayet anbefales det å holde i ledningen til Parrot 3200 LS-COLOR PLUS mens du skyver displayet vertikalt bort fra holderen.



MENYER





TILGANG TIL MENYENE

TELEFONBOK

Etter at du har foretatt paring med Parrot 3200 LS-COLOR PLUS, starter synkroniseringen av telefonboken din automatisk (*). Når synkroniseringen er avsluttet, er telefonboken i din telefon tilgjengelig fra displayet på handsfreesettet. For å få tilgang til telefonboken og ringe til en av dine samtalepartnere dreier du rulleknappen for å få tilgang til menyene, og velger så Telefonbok. Bla deg fram gjennom bokstavene til du kommer til den første bokstaven i samtalepartnerens navn, og bekreft. Der ser du navnet og de forskjellige telefonnumrene til denne personen. Velg så det telefonnummeret du vil ringe.

Hvis telefonen ikke har automatisk synkronisering, kan du sende kontaktene dine manuelt fra telefonen til handsfreesettet. Du finner oppdaterte prosedyrer på vårt webområde www.parrot.com.

Merk: Funksjonene Automatisk synkronisering og Manuell sending av kontaktene avhenger kun av telefonen. Gå til vårt webområde www.parrot.com, rubrikken Support, for ytterligere opplysninger.

ANROPSJOURNAL

Denne rubrikken viser anropslisten, og er delt inn i tre undermenyer: Ubesvarte anrop / Mottatte anrop / Utførte anrop. Den synkroniseres automatisk med journalen for din telefon, og du kan få tilgang til den for å ringe opp en samtalepartner som har prøvd å ringe deg.

- Velg kontakten fra disse menyene.
- Trykk på rulleknappen eller den grønne knappen for å ringe personen opp igjen.

Merk: Bruken av denne funksjonen avhenger utelukkende av din telefon. Gå til vårt webområde www.parrot.com, rubrikken Support, for ytterligere opplysninger.

SLÅ NUMMER

Velg denne menyen for å slå et nummer direkte fra settet.

- Drei og trykk på rulleknappen for å velge et siffer.
- Søppekurvikonet sletter det siste sifferet.
- Når nummeret er slått, trykker du på grønt for å ringe.

PREFERANSER

Denne menyen gjør det mulig å utføre parametringene du trenger for bedre bruk av handsfreesettet.

STYRE KONTAKTER

Med denne menyen kan du styre kontaktene i Parrot 3200 LS-COLOR PLUS. Når du har valgt en kontakt i listen (gå til menyen Styr kontakter), kan du registrere eller fjerne et taleavtrykk, se eller slette bildet, eller fjerne denne kontakten fra telefonboken.

For å motta en kontakt med tilknyttet bilde (hvis det støttes av telefonen), velger du Motta en kontakt. Fra telefonen din velger du den kontakten som skal sendes av *Bluetooth* til handsfreesettet. Fra nå av, når denne personen ringer deg, vises navnet og bildet til denne personen på settets display. Du kan også bytte om sorteringsrekkefølgen: etternavn-fornavn til fornavn-etternavn.



Merk: Bruken av denne funksjonen avhenger utelukkende av din telefon. Gå til vårt webområde www.parrot.com, rubrikken Support, for ytterligere opplysninger. Her finner du også oppdaterte bruksprosedyrer for telefonen.

TALEGJENKJENNELSE

TALEGJENKJENNELSESVALG

Parrot 3200 LS-COLOR PLUS gjør det mulig å bruke gjenkjenning av mobiltelefonen dersom denne telefonen har denne funksjonen. Med Parrot 3200 LS-COLOR PLUS kan du også bruke din egen talegjenkjenning. Telefonen skal da kunne sende kontakter til ditt handsfreesett for å kunne utnytte denne funksjonen. Handsfreesettets talegjenkjenningfunksjon er best tilpasset til bruk i bilen, og vi anbefaler derfor at du stiller inn settet tilsvarende.

- Talegj. carkit: De valgte taleavtrykkene er de som er registrert i handsfreesettminnet.
- Talegj. telefon: De valgte taleavtrykkene er de som er registrert i telefonminnet.

NØKKELORD

Nøkkelordene gjør det mulig å velge forskjellige typer telefonnumre knyttet til din kontakt: kontor, hjem, mobil osv.

Registreringen av disse nøkkelordene gjør at du kan ringe mens du holder hendene på rattet hele tiden.

Du kan styre hele samtalen med stemmen din.

Alle disse nøkkelordene må være registrert for at de skal være gyldige.

- For å registrere et nøkkelord kan du ganske enkelt velge det.
 - Det anbefales å foreta registreringen i rolige omgivelser.
- Slå av motoren, lukk bilvindue og sett deg på førerplassen. Ikke snakk for nær Parrot 3200 LS-COLOR PLUS-mikrofonen,

- men behold stillingen du har når du kjører.
- Handsfreesettet ber deg så om å uttale nøkkelordet. Hvis lydopptaket er gyldig, blir du bedt om å gjenta nøkkelordet.
 - Når et nøkkelord er registrert, går Parrot 3200 LS-COLOR PLUS automatisk videre med å registrere neste nøkkelord.

APPARATER SOM ER PARET

Med Parrot 3200 LS-COLOR PLUS kan du pare opptil 5 *Bluetooth*-telefoner, men det er bare én som kan være oppkoblet i løpet av en sesjon. Med menyen Apparater som er paret kan du koble opp, frakoble eller fjerne en telefon fra settets minne. Fra Definer foretrukken telefon, kan du styre fortrinnsretten som er gitt *Bluetooth*-telefonen i løpet av oppkoblinger med flere telefoner som finnes i bilen.

Merk: For å oppnå bedre samsvar med telefonene vil nye paringsmetoder kunne tilføyes i kommende versjoner.

FORETA PARING AV EN TELEFON

For du foretar paring av din *Bluetooth*-telefon, må du aktivere den modusen som samsvarer med din *Bluetooth*-telefon.

Når modusen er valgt, vises en 4-sifret kode (tilfeldig). Start søket etter perifer *Bluetooth*-enheter fra din telefon. Når handsfreesettet er funnet, merker du det og taster denne koden.

Note: for greater compatibility with phones, new pairing modes are likely to be added to future versions.

SPRÅK

Velg språk for visning av menyene i din Parrot 3200 LS-COLOR PLUS.

DISPLAY

- Det er 5 rubrikker hvor du kan brukertilpasse visningen av opplysninger:
- Lysstyrke: Bruk rulleknappen for å oppnå ønsket styrke og bekreft med et klikk på rulleknappen.
 - Telefonbokzoom: Muliggjør visning av 3 eller 4 linjer i Telefonbokmenyen.
 - Skjermbakgrunn: Lar deg velge et bilde som skjermbakgrunn.
 - Tema: Samsvarer med et valg av fargetema

LYD

- Lydstyrker: Bruk rulleknappen for å justere samtalens lydstyrke og mikrofonenes følsomhetsnivå.
- Talemenyer: Juster lydstyrken på handsfreesettets talemeldinger til ønsket nivå.
- Valg av ringetone: For telefoner som ikke spiller deres ringetone ved et innkommende anrop, velg den ringetonen som du vil høre når en samtalepartner ringer deg.
- Mikrofonretning: Denne menyen gjør det mulig å foretrekke en retning for den doble mikrofonen og dermed la settet overføre lyd med bedre kvalitet til din samtalepartner. Følgende retninger er mulige:
 - Venstre: Sjøføren sitter til venstre for handsfreesettet.
 - Midten: Sjøføren sitter rett foran handsfreesettet.
 - Høyre: Sjøføren sitter rett foran handsfreesettet.
 - Ingen foretrukken retning: Samtalepartneren kan da høre både sjøføren og passasjeren. Støyreduksjonen er da mindre effektiv.

AUTOMATISK SVAR

Aktiver denne modusen hvis du vil at Parrot 3200 LS-COLOR PLUS skal ta de inngående anropene automatisk.

INFORMASJON

Med denne menyen kan du se opplysninger tilknyttet den integrerte programvareversjonen.

OPPGRADERING

Du kan oppgradere programvareversjonen i ditt Parrot 3200 LS-COLOR PLUS via *Bluetooth*. Aktiver denne modusen før oppgraderingen. Den utføres via *Bluetooth* fra en datamaskin utstyrt med *Bluetooth*. Med oppgraderingen får du nye funksjonaliteter og bedre samsvar med de avanserte funksjonene i et større antall telefoner.

Besøk våre sider hvis du ønsker ytterligere opplysninger: www.parrot.com

HOTLINE

Vår hot-line står til din rådighet.

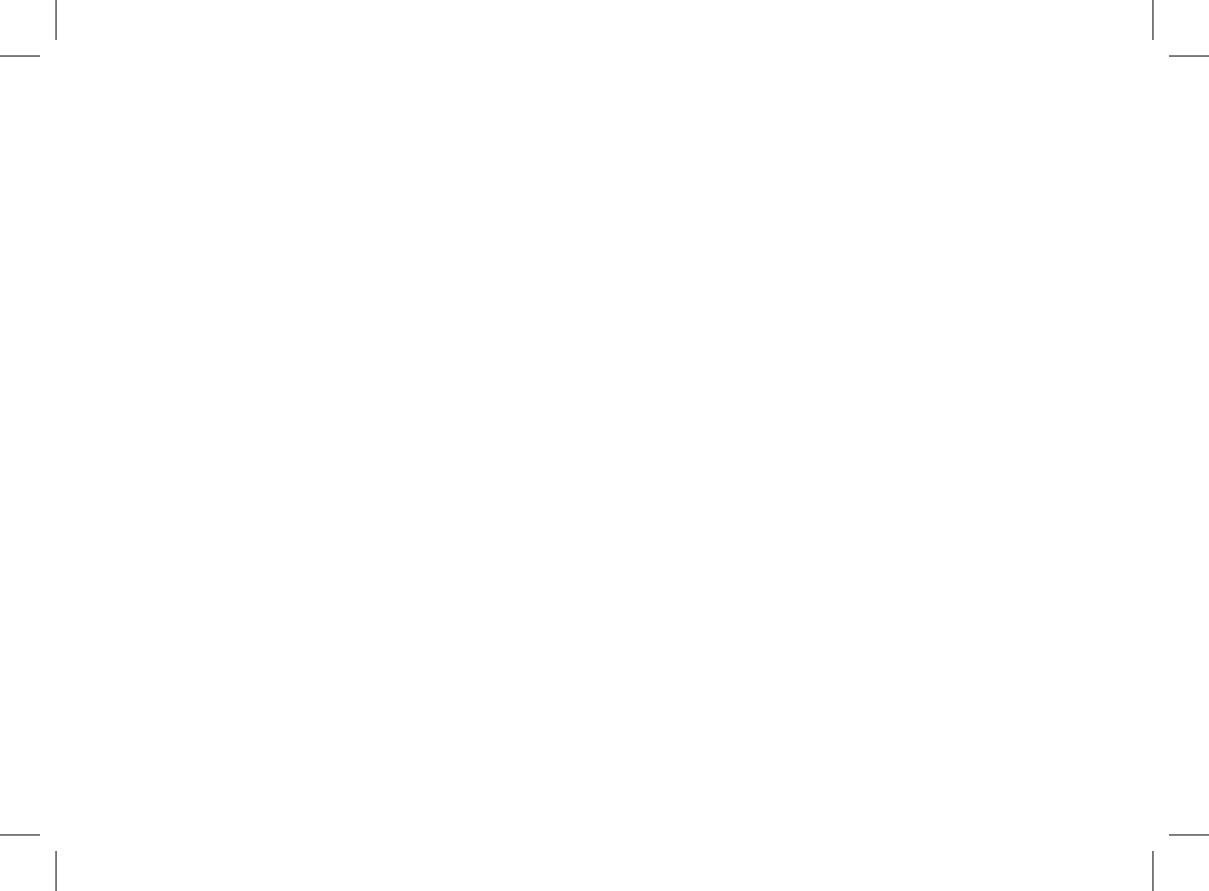
Du kan ta kontakt via e-post eller telefon.

Svartjeneste mandag-fredag 0900-1800 (GMT +1).

Gå til vårt webområde www.parrot.com hvis du ønsker ytterligere opplysninger.

- Italia : [+39] 02 86 39 14 63
- Spania : [+34] 902 404 202
- Storbritannia : [+44] (0)870 112 5872
- Tyskland : 0900 172 77 68
- USA : [+1] (877) 9 Parrot (gratisnummer)
- Kina : [+86] (0)21 6460 1944
- Hong Kong: [+852] 2736 1169
- France : 01 48 03 60 69
- Europa : [+33] 1 48 03 60 69 (Spoken languages : French, English, Spanish and German).









Parrot S.A. - 174, quai de Jemmapes - 75010 Paris - France
Fax +33 1 48 03 06 66 / Phone +33 1 48 03 60 60
www.parrot.com

